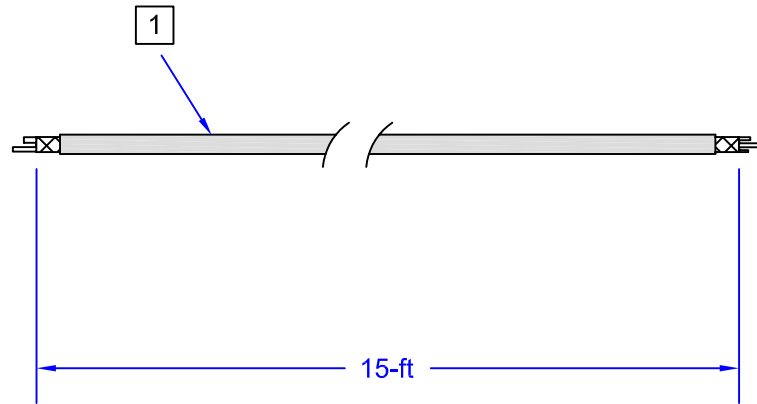


REVISIONS			
REV	DESCRIPTION	DATE	APPROVED

1 9 Conductor, stranded 7 x 0.008 round cable with aluminum / Mylar foil shielding and gray PVC jacket.



Accu-Glass Products Inc.  
 700 Arroyo Ave.  
 San Fernando, CA. 91340  
 TEL. 818-365-4215  
 FAX. 818-365-7074

Notes :

**\* UNCONTROLLED WEB COPY \***

Material		Title	
Tolerances unless otherwise specified		AIR-CP9-15 Non-terminated Air-service Cable	
Decimal	Angular	Drawn By	M.Wilson
.xx= +/- .005	+/- 1°	DWG NO.	100022
.xxx= +/- .002		Approved	Chris M.
		Date	6-4-07
		Cage Code : 4HCQ8	