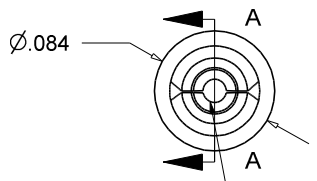
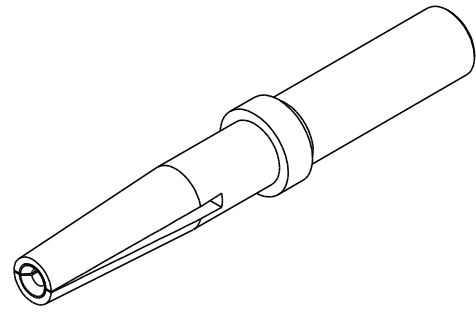
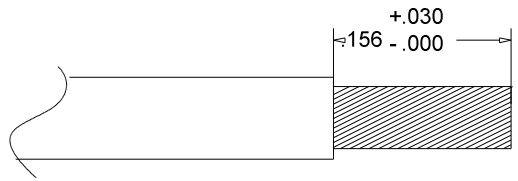
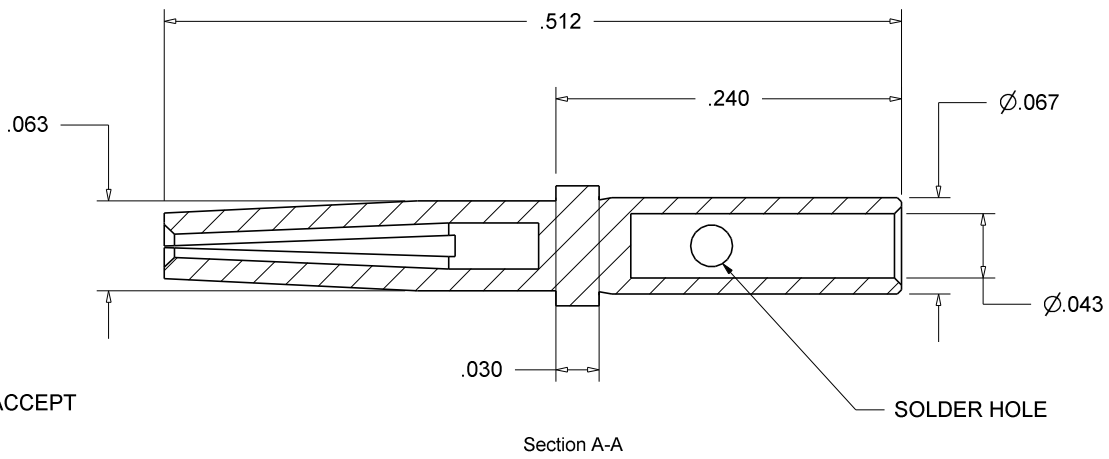


1  
 PROPRIETARY AND CONFIDENTIAL  
 THE INFORMATION CONTAINED IN THIS  
 DRAWING IS THE SOLE PROPERTY OF  
 ACCU-GLASS PRODUCTS INC. ANY  
 REPRODUCTION IN PART OR AS WHOLE  
 WITHOUT THE WRITTEN PERMISSION OF  
 ACCU-GLASS PRODUCTS INC. IS  
 PROHIBITED.

Rev	Description	Date	Approved
A	INITIAL RELEASE		



SOCKET DESIGNED TO ACCEPT  
 UP TO Ø.040 MALE PIN



WIRE STRIPPING REQUIREMENTS  
 NO SCALE

RELATED PRODUCTS, TYPE-T1 TOOLS / SUPPLIES
P/N 100190, CRIMP TOOL FOR TYPE-T1 CONTACTS
P/N 110796, UHV-SOLDER
P/N 110797, SOLDER FLUX



Accu-Glass Products Inc.  
 700 Arroyo Ave.  
 San Fernando, CA 91340  
 TEL 818-365-4215  
 FAX 818-365-7074  
 accuglassproducts.com

Notes:  
 1. CONTACT MAY BE SOLDERED OR CRIMPED  
 2. CRIMP POT WILL ACCOMMODATE #20, #22 OR #24  
 AWG STRANDED WIRE

**\*UNCONTROLLED WEB COPY\***

Material GOLD PLATED COPPER ALLOY	
Tolerances unless otherwise specified.	
.X ± .03	Angular: +/- .5°
.XX ± .01	Finish: Min. 63 Ra
.XXX ± .005	

Title: <b>GS-10</b>		DWG. NO. <b>100180</b>		Rev. <b>A</b>
Drawn By Date	CR 042709			
Approved	C M			Sheet 1 OF 1