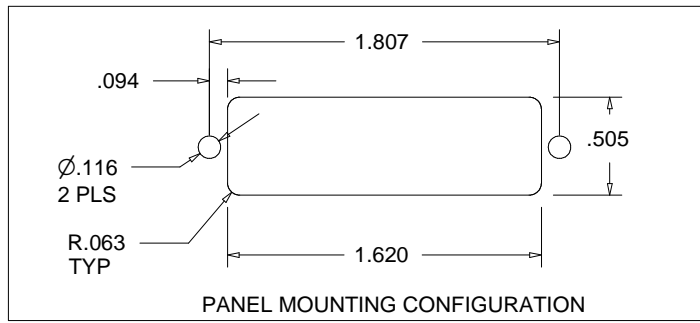
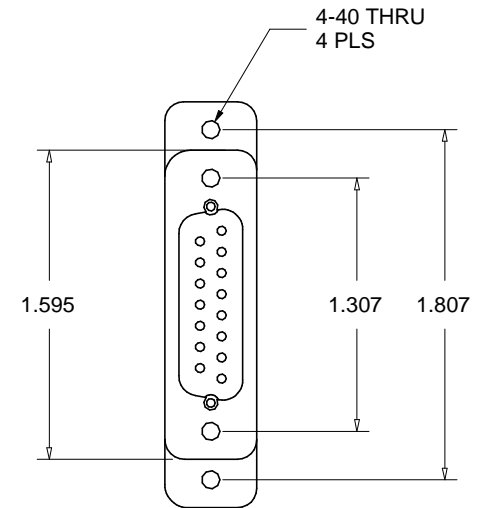
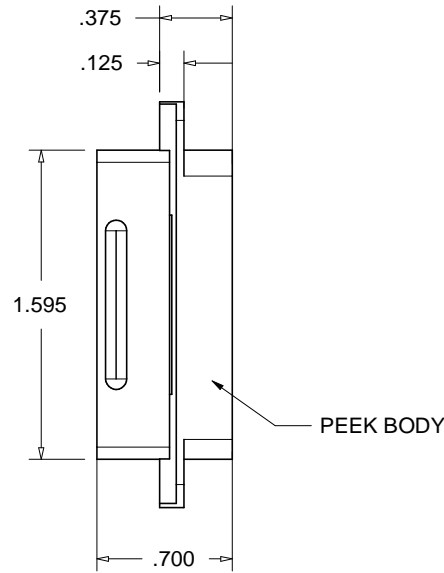
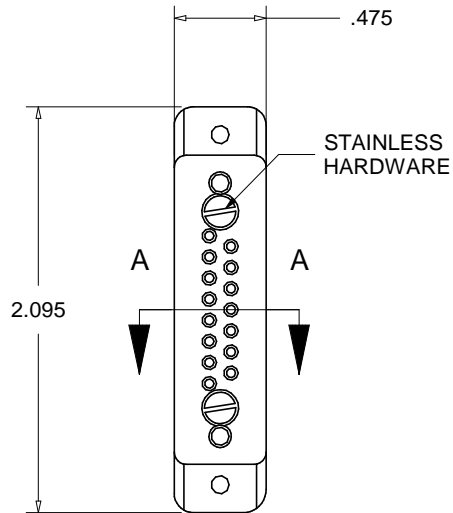
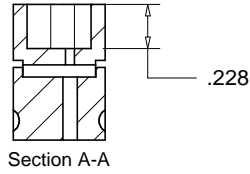
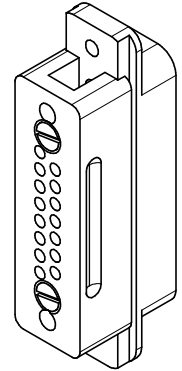


PROPRIETARY AND CONFIDENTIAL
 THE INFORMATION CONTAINED IN THIS DRAWING IS THE SOLE PROPERTY OF ACCU-GLASS PRODUCTS INC. ANY REPRODUCTION IN PART OR AS WHOLE WITHOUT THE WRITTEN PERMISSION OF ACCU-GLASS PRODUCTS INC. IS **PROHIBITED.**



Rev	Description	Date	Approved
A	INITIAL RELEASE		



Accu-Glass Products Inc.
 700 Arroyo Ave.
 San Fernando, CA 91340
 TEL 818-365-4215
 FAX 818-365-7074
 accuglassproducts.com

Notes:
 1. DIMENSIONS SYMMETRICAL ABOUT CENTERLINES

Material
 ASSEMBLY

Tolerances unless otherwise specified.

.X ± .03	Angular: +/- .5°
.XX ± .01	Finish: Min. 63 Ra
.XXX ± .005	

Title: **15D-PKP-E**
PEEK 15D MALE CONNECTOR WITH MOUNT EARS

Drawn By Date	CR 111609	DWG. NO.	100423	Rev. A
Approved	C M			Sheet 1 OF 1

*** UNCONTROLLED WEB COPY ***