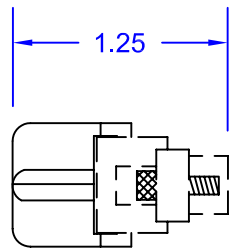
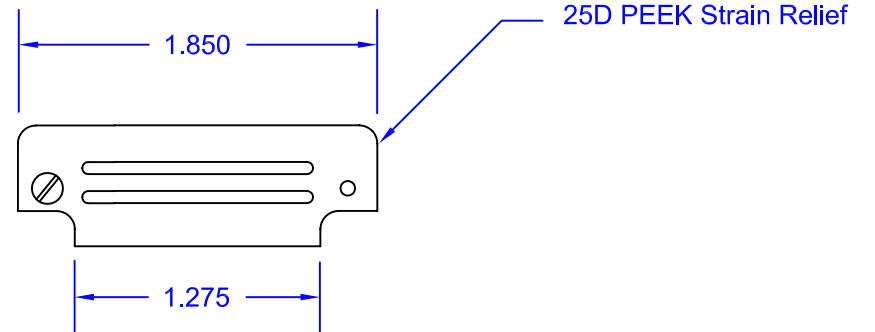
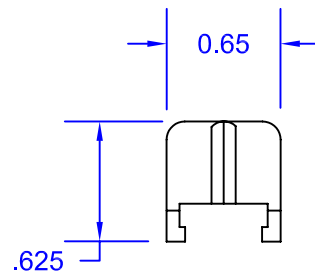


REVISIONS			
REV	DESCRIPTION	DATE	APPROVED



Strain Relief w / Connector



Accu-Glass Products Inc.
 700 Arroyo Ave.
 San Fernando, CA. 91340
 TEL. 818-365-4215
 FAX. 818-365-7074

Notes :

*** UNCONTROLLED WEB COPY ***

Material PEEK		Title 25D-PKBS 25D Backshell Strain Relief	
Tolerances unless otherwise specified		Drawn By M.Wilson	DWG NO. 100465
Decimal .xx= +/- .005 .xxx= +/- .002	Angular +/- 1°	Approved	Date 7-10-07
		Cage Code : 4HCQ8	