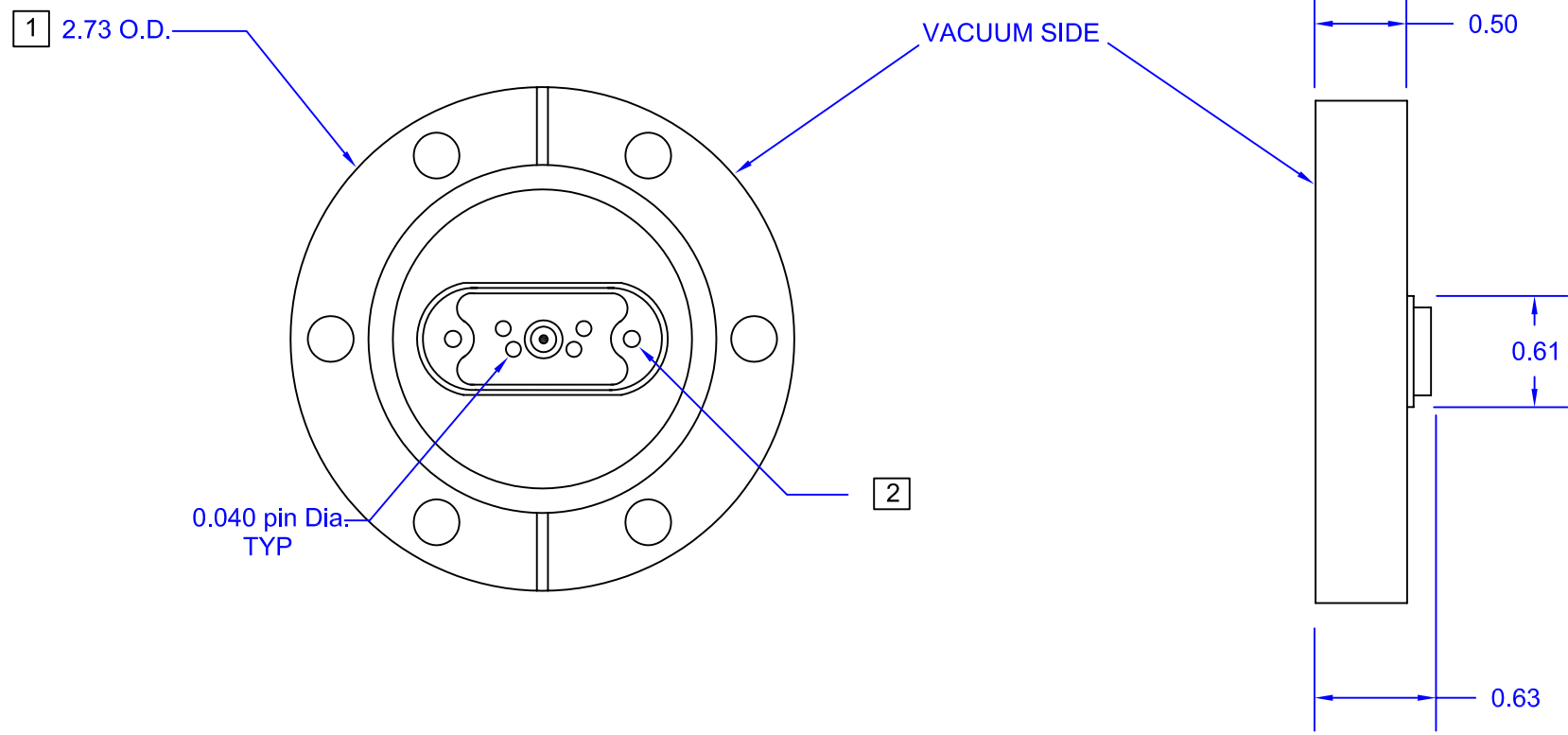


REVISIONS			
REV	DESCRIPTION	DATE	APPROVED

- 1 275 CF Flange
- 2 4-40 UNC x .160 deep 4 places



Accu-Glass Products Inc.  
 700 Arroyo Ave.  
 San Fernando, CA. 91340  
 TEL. 818-365-4215  
 FAX. 818-365-7074

Notes :

**\* UNCONTROLLED WEB COPY \***

Material <b>304 SS</b>	
Tolerances unless otherwise specified	
Decimal	Angular
.xx= +/- .005	+/- 1°
.xxx= +/- .002	

Title <b>9D-1CX4i-275 UHV 1-Pin Coaxial + 4-Pin Instrumentation</b>			
Drawn By	M.Wilson	DWG NO.	Date
Approved		100500	8-21-97
		Cage Code : 4HCQ8	