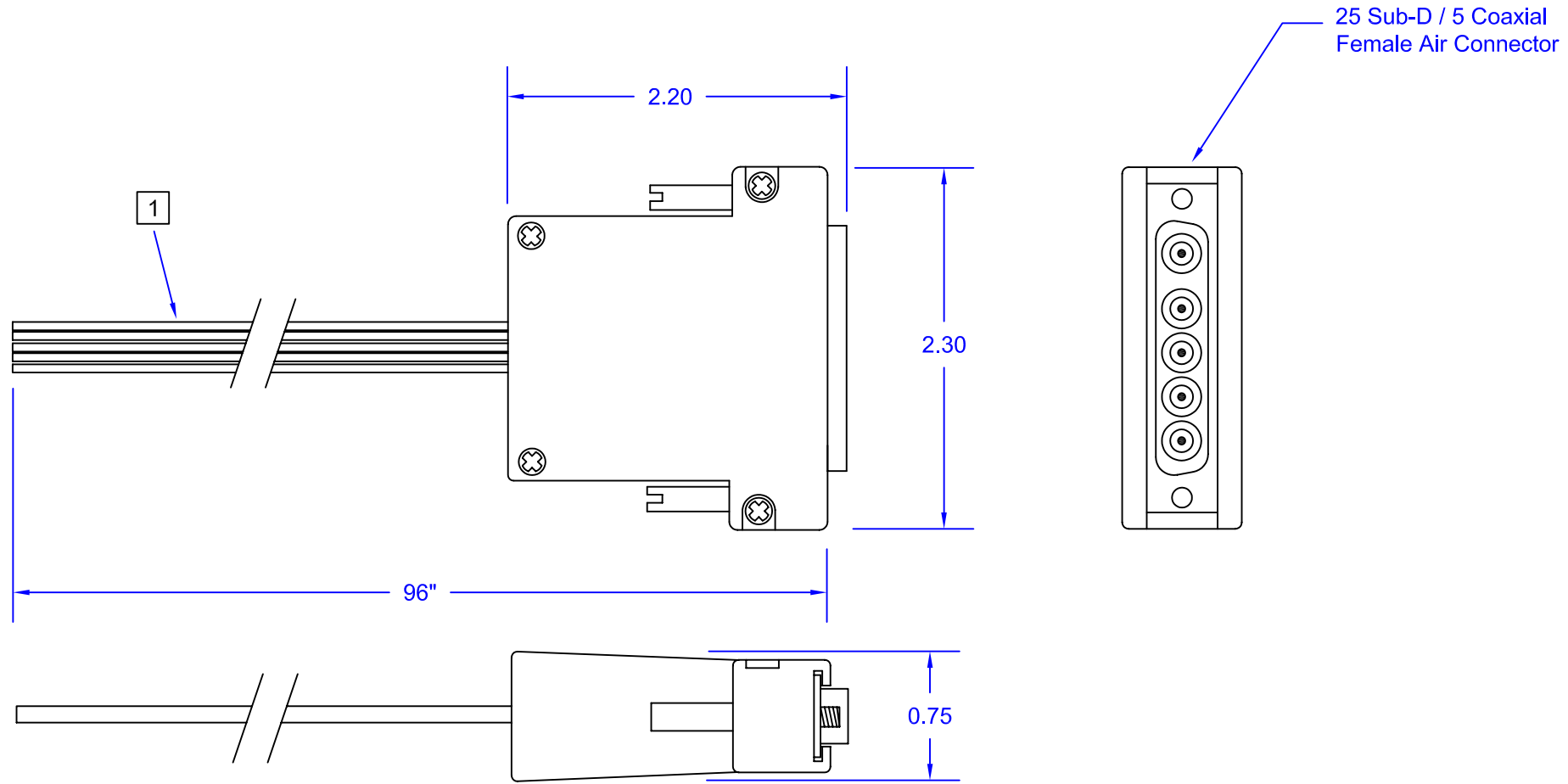


REVISIONS			
REV	DESCRIPTION	DATE	APPROVED

1 5 ea. RG174/U Coaxial cable.



Accu-Glass Products Inc.  
700 Arroyo Ave.  
San Fernando, CA. 91340  
TEL. 818-365-4215  
FAX. 818-365-7074

Notes :

**\* UNCONTROLLED WEB COPY \***

Material	
Tolerances unless otherwise specified	
Decimal	Angular
.xx= +/- .005	+/- 1°
.xxx= +/- .002	

Title			
25AIR-5CX-96SC Female Socket Air Connector to Cable			
Drawn By	M.Wilson	DWG NO.	100550
Approved			Date 8-28-07
			Cage Code : 4HCQ8