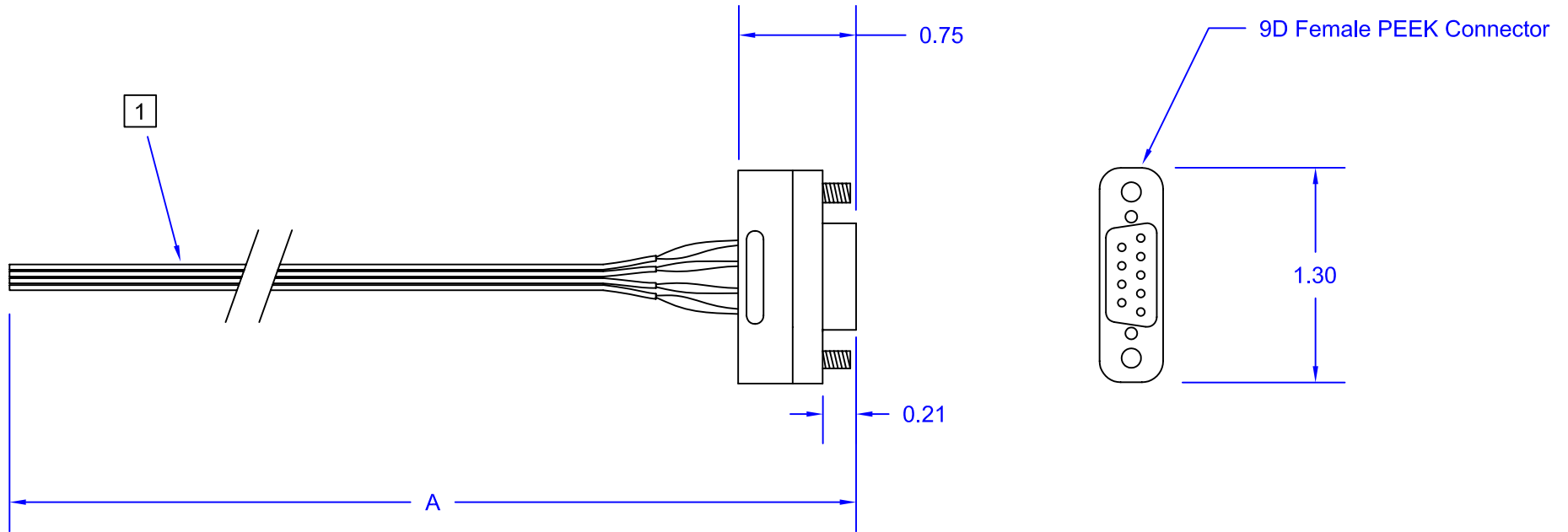


1 8 Conductor Kapton Insulated 0.008 Chromel and Alumel single-strand wire.

REVISIONS			
REV	DESCRIPTION	DATE	APPROVED



Part #	Model #	A
100810	9KAP-8TC-19SC	19"
100811	9KAP-8TC-39SC	39"



Accu-Glass Products Inc.  
700 Arroyo Ave.  
San Fernando, CA. 91340  
TEL. 818-365-4215  
FAX. 818-365-7074

Notes :

**\* UNCONTROLLED WEB COPY \***

Material		Title		
Tolerances unless otherwise specified		9KAP-8TC-19SC		
Decimal	Angular	Female Socket UHV Connector to Cable		Date
.xx= +/- .005	+/- 1°	Drawn By	M.Wilson	8-7-07
.xxx= +/- .002		DWG NO.	100810	Cage Code : 4HCQ8
Approved				