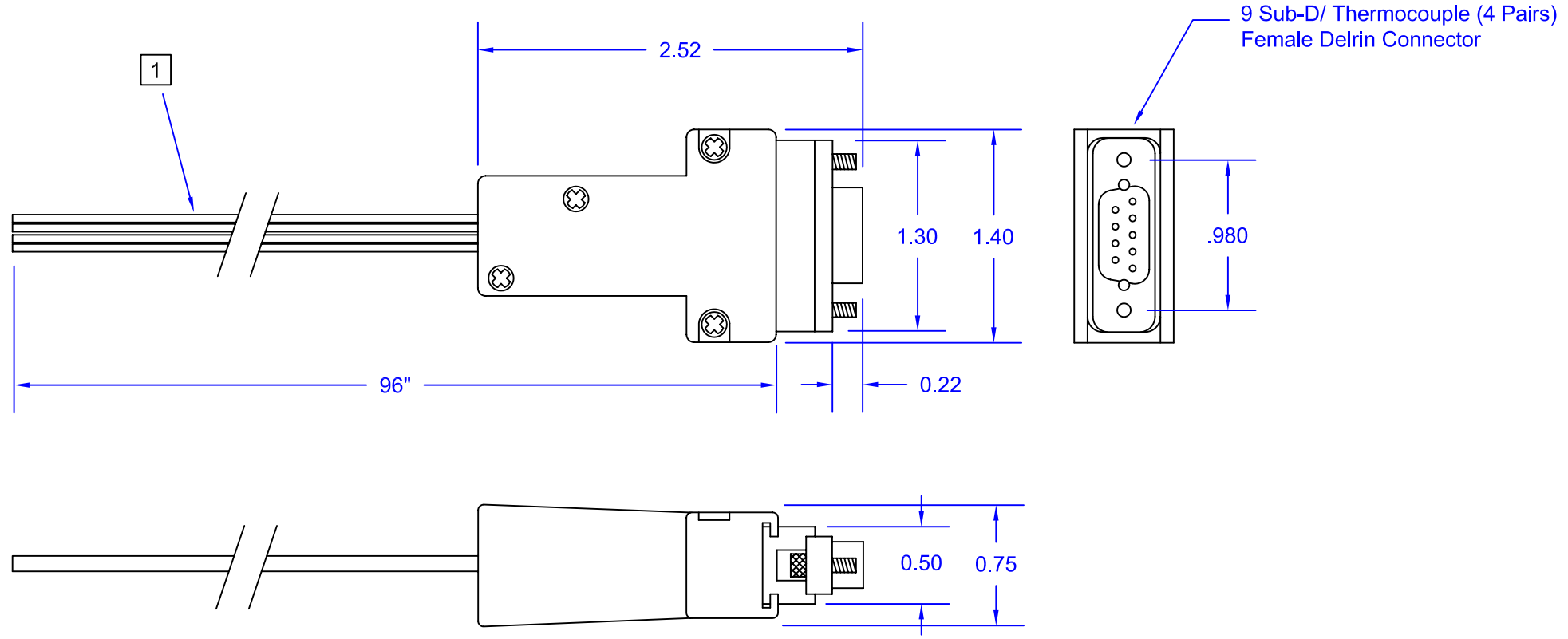


REVISIONS			
REV	DESCRIPTION	DATE	APPROVED

1 8 Conductor PVC Insulated 0.008 Chromel and Alumel single-strand wire.



Accu-Glass Products Inc.  
700 Arroyo Ave.  
San Fernando, CA. 91340  
TEL. 818-365-4215  
FAX. 818-365-7074

Notes :  
  
**\* UNCONTROLLED WEB COPY \***

Material Delrin	
Tolerances unless otherwise specified	
Decimal	Angular
.xx= +/- .005	+/- 1°
.xxx= +/- .002	

Title AIR-8TC-96SC Female Socket Air Connector to Cable			
Drawn By	M.Wilson	DWG NO.	100830
Approved			Date 8-20-07
			Cage Code : 4HCQ8