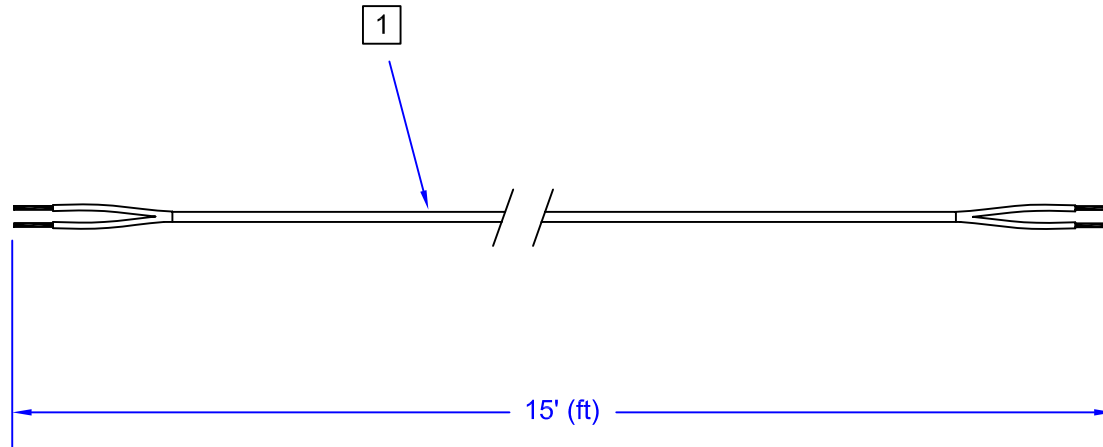


REVISIONS			
REV	DESCRIPTION	DATE	APPROVED

1 2 Conductor PVC Insulated 0.008 Chromel and Alumel single-strand wire.



Accu-Glass Products Inc.
700 Arroyo Ave.
San Fernando, CA. 91340
TEL. 818-365-4215
FAX. 818-365-7074

Notes :

*** UNCONTROLLED WEB COPY ***

Material		Title	
Tolerances unless otherwise specified		AIR-TC-15' Air-Service Thermocouple cable	
Decimal	Angular	Drawn By	M.Wilson
.xx= +/- .005	+/- 1°	DWG NO.	100967
.xxx= +/- .002		Approved	
		Date	8-20-07
		Cage Code	4HCQ8