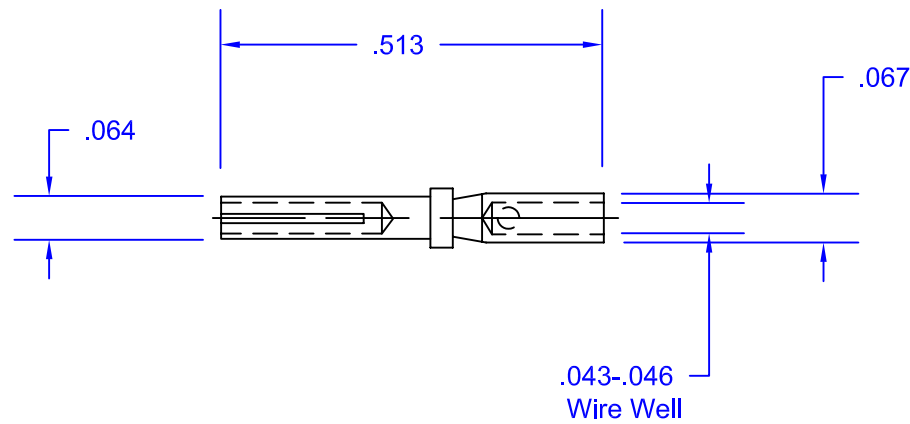
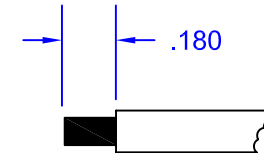


REVISIONS			
REV	DESCRIPTION	DATE	APPROVED



WIRE STRIPPING DIMENSIONS



Special Note:  
Use Crimp tool #100190 (DCT-1)



Accu-Glass Products Inc.  
700 Arroyo Ave.  
San Fernando, CA. 91340  
TEL. 818-365-4215  
FAX. 818-365-7074

Notes :

**\* UNCONTROLLED WEB COPY \***

Material <b>Alumel</b>		Title <b>AS-5 Alumel Female Socket Contact</b>	
Tolerances unless otherwise specified		Drawn By M. Wilson	DWG NO. 100990
Decimal .xx= +/- .005 .xxx= +/- .002	Angular +/- 1°	Approved	Date 8-16-07
		Cage Code : 4HCQ8	