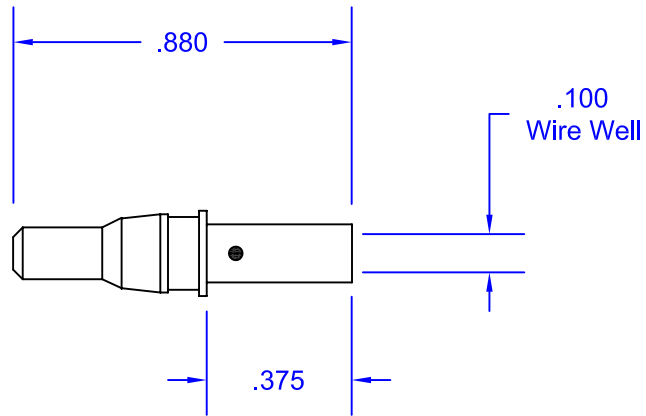
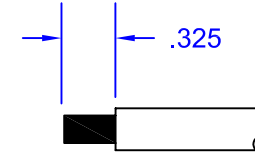


REVISIONS			
REV	DESCRIPTION	DATE	APPROVED



WIRE STRIPPING DIMENSIONS



Special Note:
Use Crimp tool #101080 (DCT-3)



Accu-Glass Products Inc.
700 Arroyo Ave.
San Fernando, CA. 91340
TEL. 818-365-4215
FAX. 818-365-7074

Notes :

*** UNCONTROLLED WEB COPY ***

Material
Copper Alloy / Gold Plated

Tolerances unless
otherwise specified
Decimal Angular
.xx= +/- .005 +/- 1°
.xxx= +/- .002

Title
PP-5
Male Pin Power Contact

Drawn By	M.Wilson	DWG NO.	101001	Date	8-16-07
Approved				Cage Code : 4HCQ8	