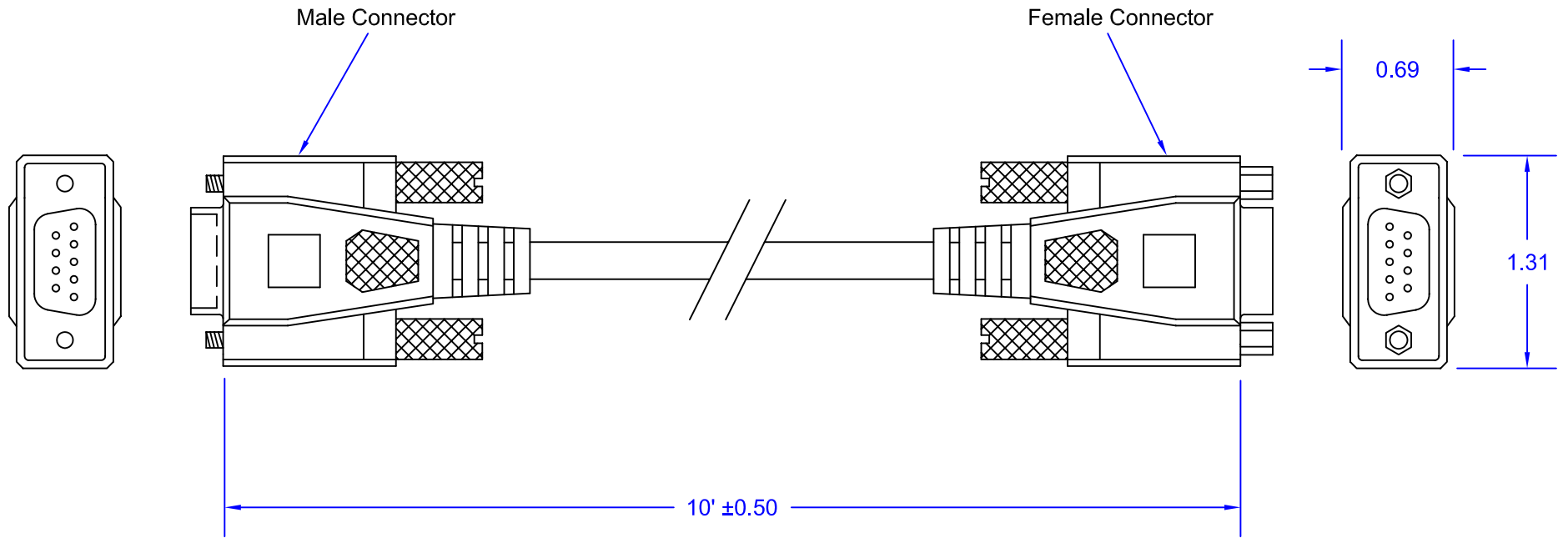


REVISIONS			
REV	DESCRIPTION	DATE	APPROVED



Accu-Glass Products Inc.
 700 Arroyo Ave.
 San Fernando, CA. 91340
 TEL. 818-365-4215
 FAX. 818-365-7074

Notes :

*** UNCONTROLLED WEB COPY ***

Material		Title		
Tolerances unless otherwise specified		AIR-9D-10MF 9D Air-Service Cable Assemble		
Decimal	Angular	Drawn By	M.Wilson	Date
.xx= +/- .005	+/- 1°	Approved	DWG NO. 101040	7-25-07
.xxx= +/- .002				Cage Code : 4HCQ8