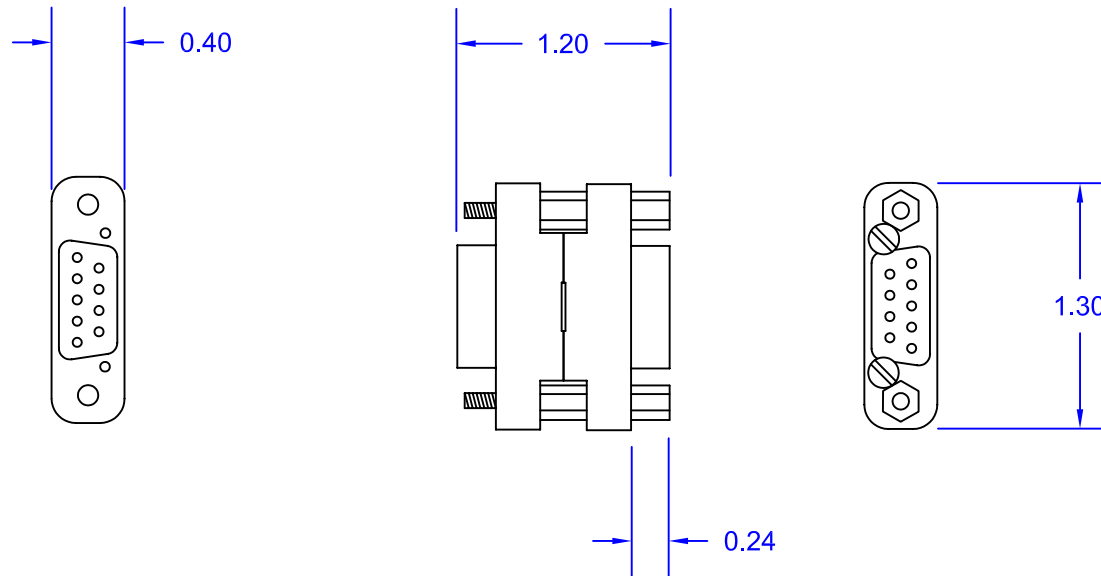


REVISIONS			
REV	DESCRIPTION	DATE	APPROVED



Accu-Glass Products Inc.  
 700 Arroyo Ave.  
 San Fernando, CA. 91340  
 TEL. 818-365-4215  
 FAX. 818-365-7074

Notes :

**\* UNCONTROLLED WEB COPY \***

Material <b>PEEK</b>		Title <b>9D-PK-GA 9D UHV Gender Adapter</b>	
Tolerances unless otherwise specified		Drawn By	Date
Decimal	Angular	M.Wilson	6-27-07
.xx= +/- .005	+/- 1°	DWG NO.	103102
.xxx= +/- .002		Approved	Cage Code : 4HCQ8