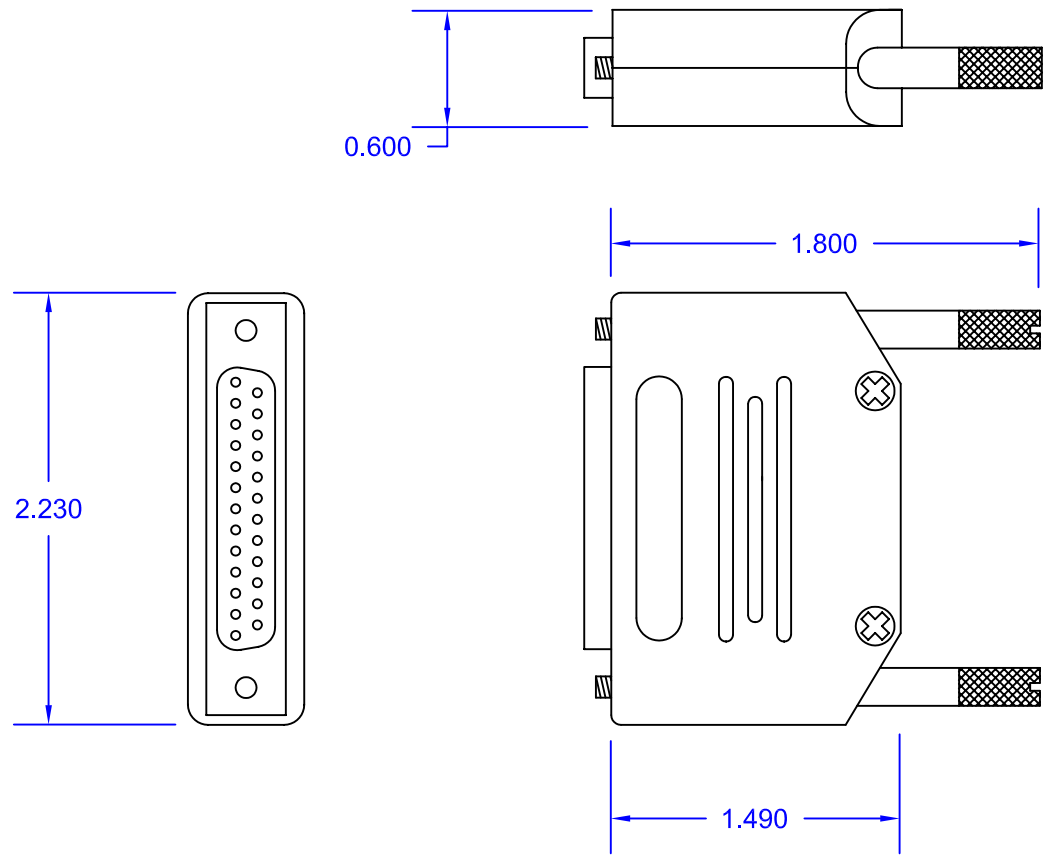


REVISIONS			
REV	DESCRIPTION	DATE	APPROVED



Accu-Glass Products Inc.
 700 Arroyo Ave.
 San Fernando, CA. 91340
 TEL. 818-365-4215
 FAX. 818-365-7074

Notes :

*** UNCONTROLLED WEB COPY ***

Material		Title	
Tolerances unless otherwise specified		25D-AIR 25D Air-Service Connector	
Decimal	Angular	Drawn By	M.Wilson
.xx= +/- .005	+/- 1°	DWG NO.	103120
.xxx= +/- .002		Date	7-25-07
Approved		Cage Code : 4HCQ8	