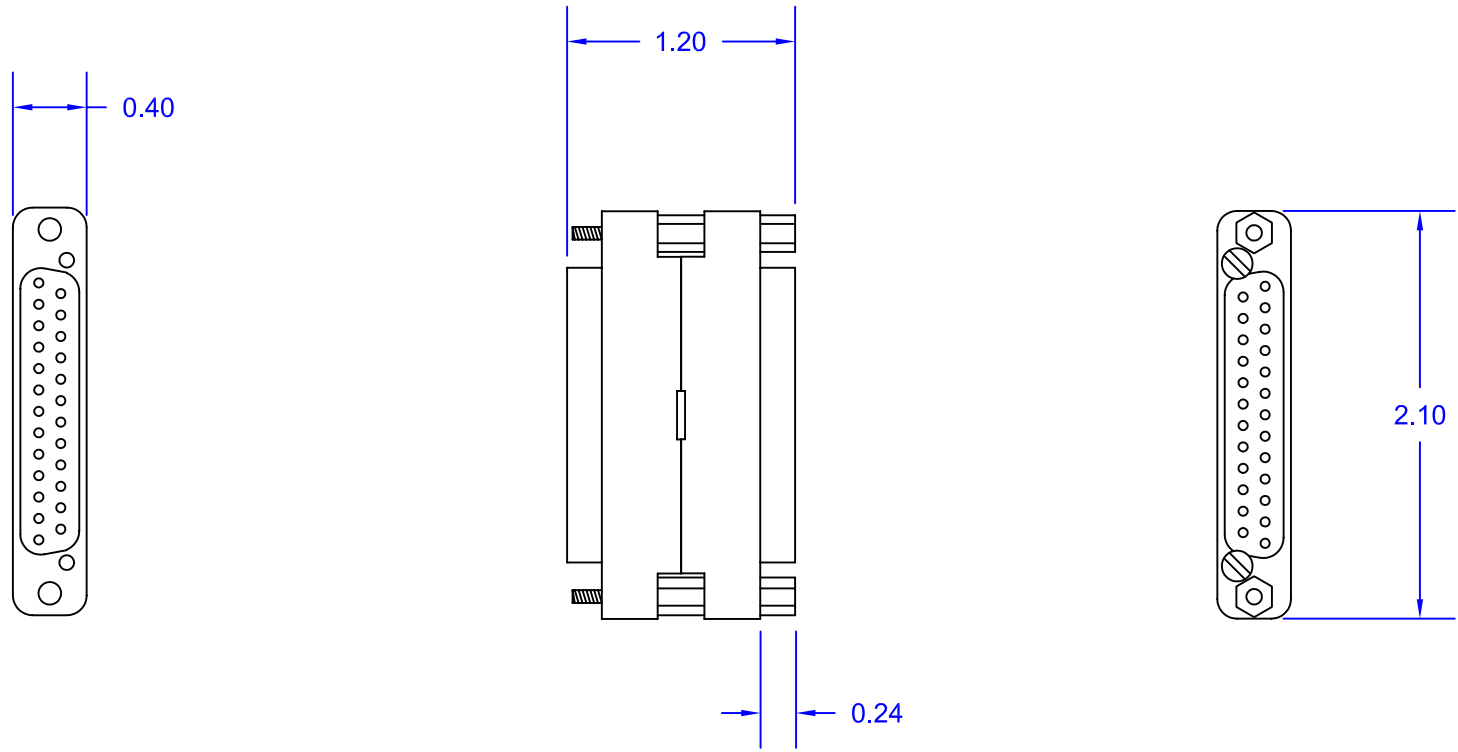


REVISIONS			
REV	DESCRIPTION	DATE	APPROVED



Accu-Glass Products Inc.
 700 Arroyo Ave.
 San Fernando, CA. 91340
 TEL. 818-365-4215
 FAX. 818-365-7074

Notes :

*** UNCONTROLLED WEB COPY ***

Material PEEK	
Tolerances unless otherwise specified	
Decimal	Angular
.xx= +/- .005	+/- 1°
.xxx= +/- .002	

Title 25D-PK-GA 25D UHV Gender Adapter			
Drawn By	M.Wilson	DWG NO.	104101
Approved			Date 7-2-07
			Cage Code : 4HCQ8