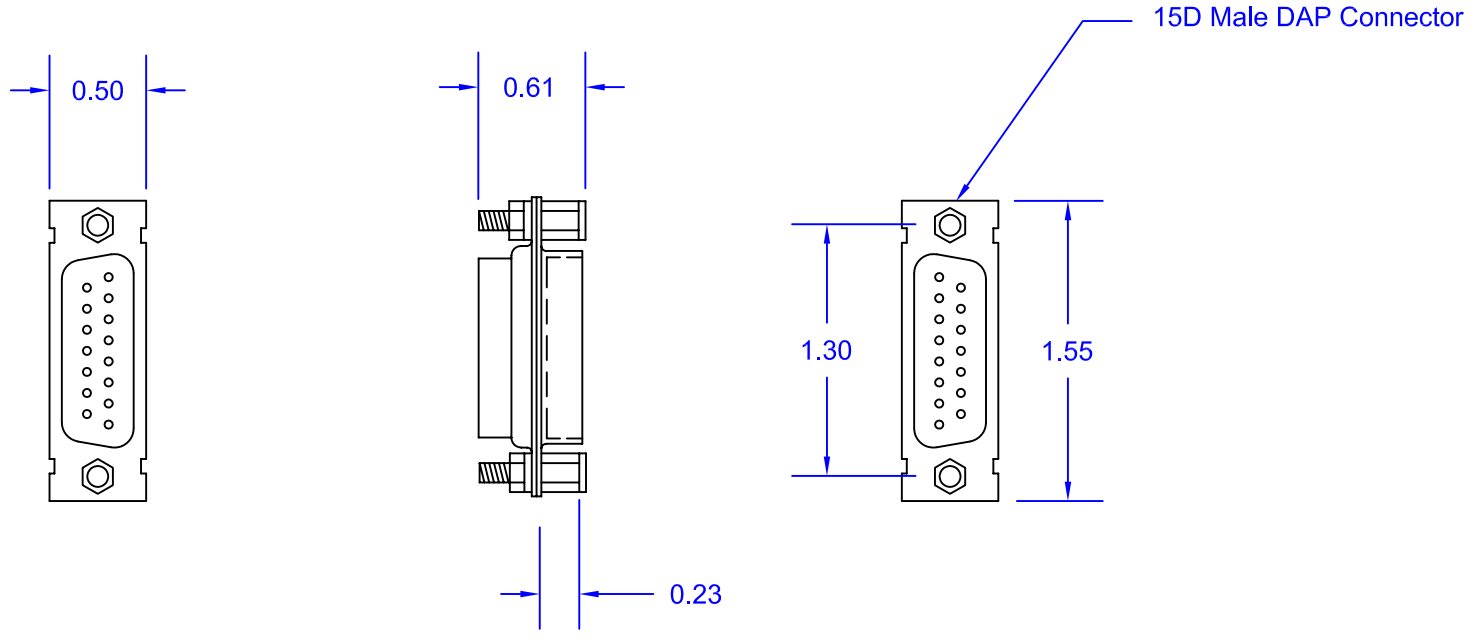


REVISIONS			
REV	DESCRIPTION	DATE	APPROVED



Special Notes :
Connectors do not include contacts and must be purchased separately.



Accu-Glass Products Inc.
700 Arroyo Ave.
San Fernando, CA. 91340
TEL. 818-365-4215
FAX. 818-365-7074

Notes :
*** UNCONTROLLED WEB COPY ***

Material		Title 15D-HVCP Male Pin HV Connector		
Tolerances unless otherwise specified		Drawn By	M.Wilson	DWG NO. 110002
Decimal	Angular	Approved		Date 7-19-07
.xx= +/- .005	+/- 1°			Cage Code : 4HCQ8
.xxx= +/- .002				