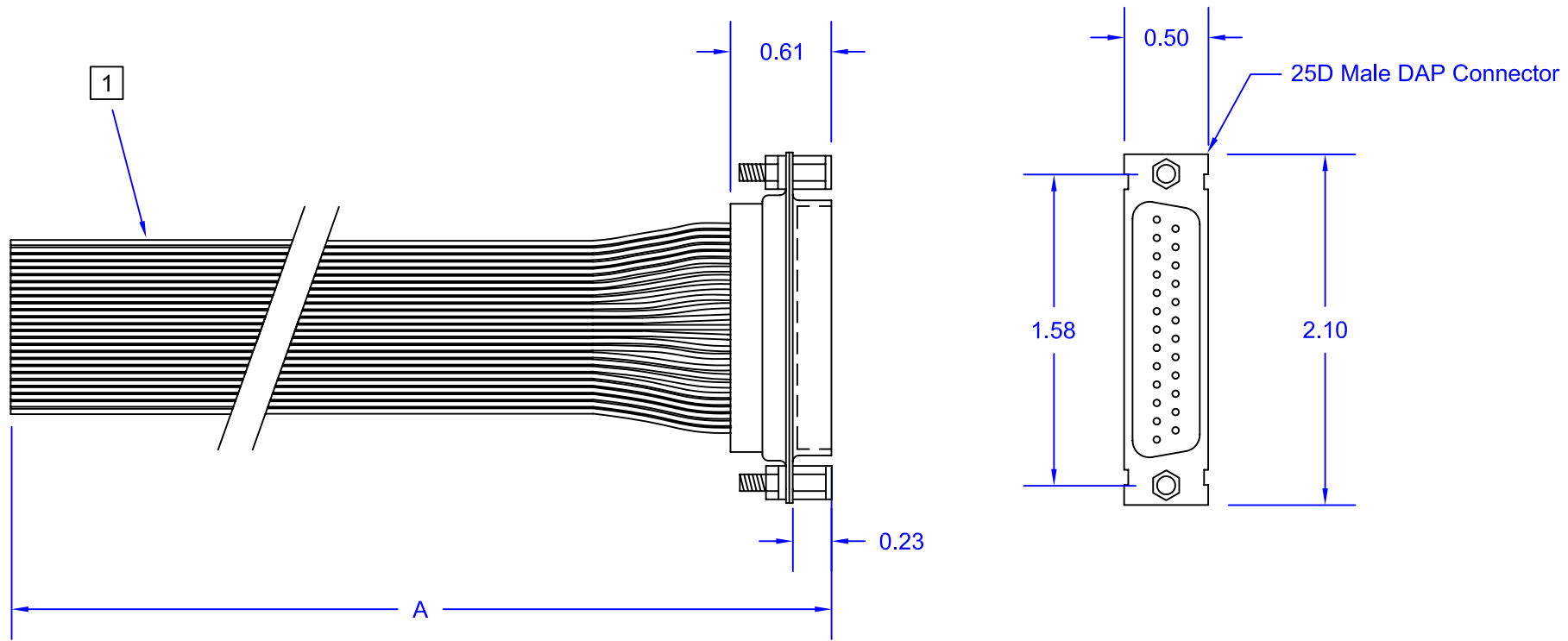


- 1 25 Conductor Teflon<sup>®</sup> FEP insulated ribbon cable,  
28 AWG silver plated copper stranded wires 7 x 0.005.

REVISIONS			
REV	DESCRIPTION	DATE	APPROVED



Part #	Model #	A
110029	HVB-R25-19PC	19"
110030	HVB-R25-39PC	39"



Accu-Glass Products Inc.  
700 Arroyo Ave.  
San Fernando, CA. 91340  
TEL. 818-365-4215  
FAX. 818-365-7074

Notes :

**\* UNCONTROLLED WEB COPY \***

Material		Title		
Tolerances unless otherwise specified		HVB-R25-19PC Male Pin HV Connector to Cable		
Decimal	Angular	Drawn By	M.Wilson	DWG NO.
.xx= +/- .005	+/- 1°	Approved		110029
.xxx= +/- .002				Date 7-17-07
			Cage Code : 4HCQ8	