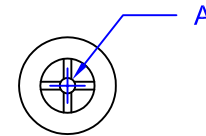
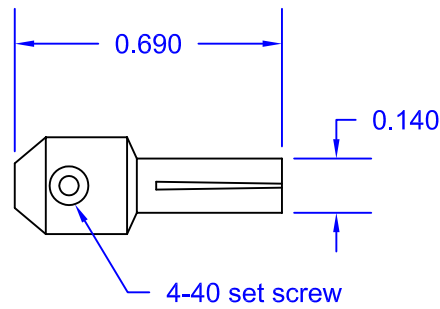
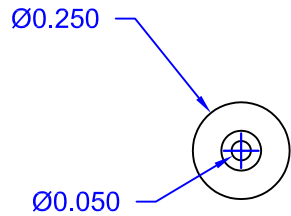


| REVISIONS |             |      |          |
|-----------|-------------|------|----------|
| REV       | DESCRIPTION | DATE | APPROVED |



| Part # | Model # | A    |
|--------|---------|------|
| 110100 | POC40-5 | .040 |
| 110101 | POC50-5 | .050 |
| 110102 | POC60-5 | .060 |
| 110103 | POC94-5 | .094 |



Accu-Glass Products Inc.  
700 Arroyo Ave.  
San Fernando, CA. 91340  
TEL. 818-365-4215  
FAX. 818-365-7074

Notes :

**\* UNCONTROLLED WEB COPY \***

|  |                   |                          |                   |
|--|-------------------|--------------------------|-------------------|
| Material<br><b>Beryllium-copper</b>        |                   | Title<br>110100 - 110103 |                   |
| Tolerances unless otherwise specified      |                   | Drawn By<br>M. Wilson    | DWG NO.<br>110100 |
| Decimal<br>.xx= +/- .005<br>.xxx= +/- .002 | Angular<br>+/- 1° | Approved                 | Date<br>7-23-08   |
|  |                   | Cage Code : 4HCQ8        |                   |