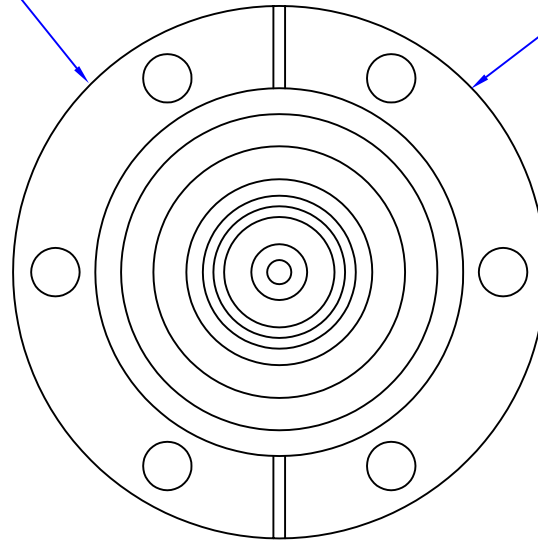


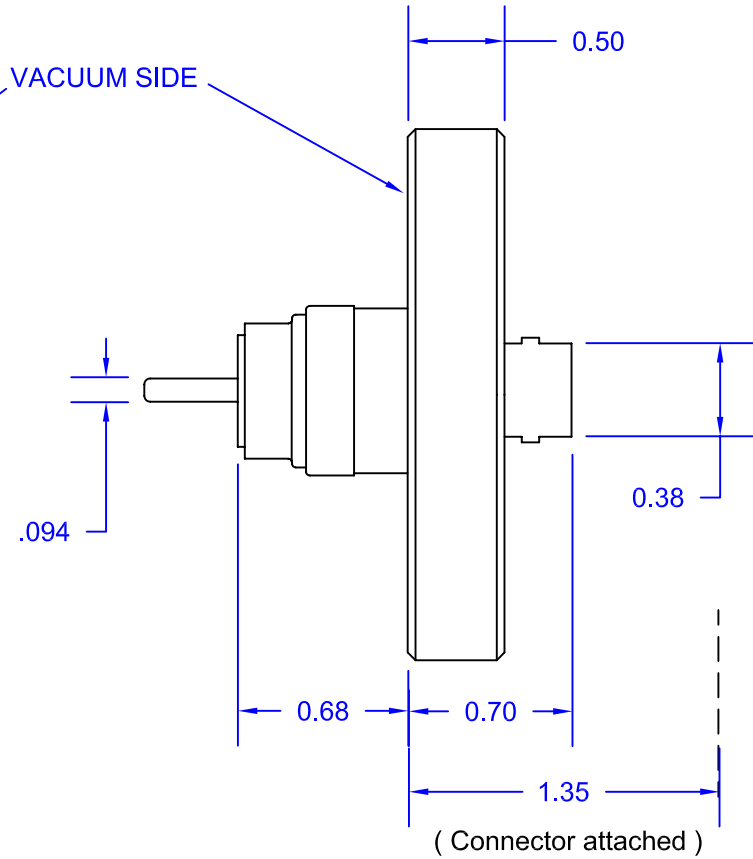
1 275 CF Flange

REVISIONS			
REV	DESCRIPTION	DATE	APPROVED

1 2.73 O.D.



VACUUM SIDE



Accu-Glass Products Inc.  
700 Arroyo Ave.  
San Fernando, CA. 91340  
TEL. 818-365-4215  
FAX. 818-365-7074

Notes :

**\* UNCONTROLLED WEB COPY \***

Material		Title	
Tolerances unless otherwise specified		BNC-FS-275	
Decimal	Angular	Single-ended BNC Floating shield	
.xx= +/- .005	+/- 1°	Drawn By	M.Wilson
.xxx= +/- .002		DWG NO.	110130
		Approved	
		Date	10-16-07
		Cage Code : 4HCQ8	