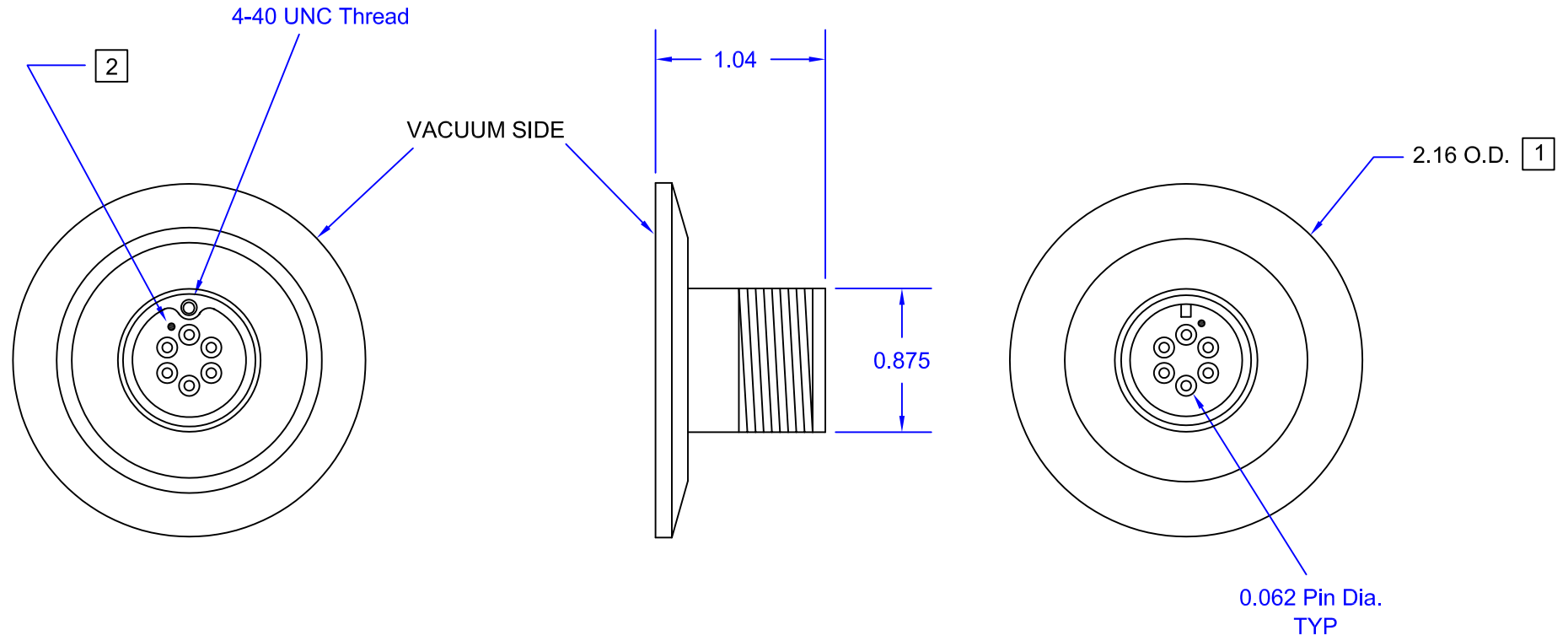


REVISIONS			
REV	DESCRIPTION	DATE	APPROVED

- 1 NW40 KF Flange
- 2 Pin Position Mark Both Sides



Accu-Glass Products Inc.
 700 Arroyo Ave.
 San Fernando, CA. 91340
 TEL. 818-365-4215
 FAX. 818-365-7074

Notes :

*** UNCONTROLLED WEB COPY ***

Material 304 SS	
Tolerances unless otherwise specified	
Decimal	Angular
.xx= +/- .005	+/- 1°
.xxx= +/- .002	

Title 6CP-K40		6 Pin Power Circular Feedthrough on a NW40 KF Flange	
Drawn By	M.Wilson	DWG NO.	110640
Approved		Date	7-26-07
		Cage Code : 4HCQ8	