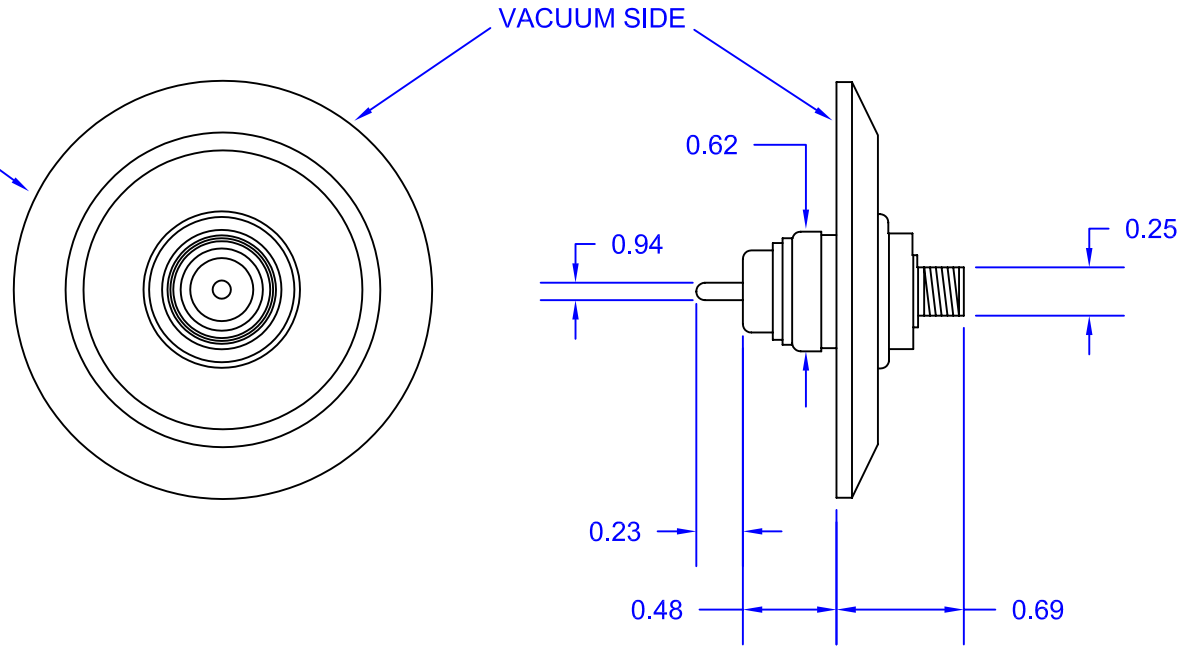


1 NW40 KF Flange

| REVISIONS | | | |
|-----------|-------------|------|----------|
| REV | DESCRIPTION | DATE | APPROVED |

1 2.16 O.D.



Accu-Glass Products Inc.
700 Arroyo Ave.
San Fernando, CA. 91340
TEL. 818-365-4215
FAX. 818-365-7074

Notes :

*** UNCONTROLLED WEB COPY ***

| | | | | |
|---------------------------------------|---------|------------|----------|-------------------|
| Material | | Title | | |
| Tolerances unless otherwise specified | | SMA-FS-K40 | | |
| Decimal | Angular | Drawn By | M.Wilson | DWG NO. 110759 |
| .xx= +/- .005 | +/- 1° | Approved | | Date 6-10-08 |
| .xxx= +/- .002 | | | | Cage Code : 4HCQ8 |