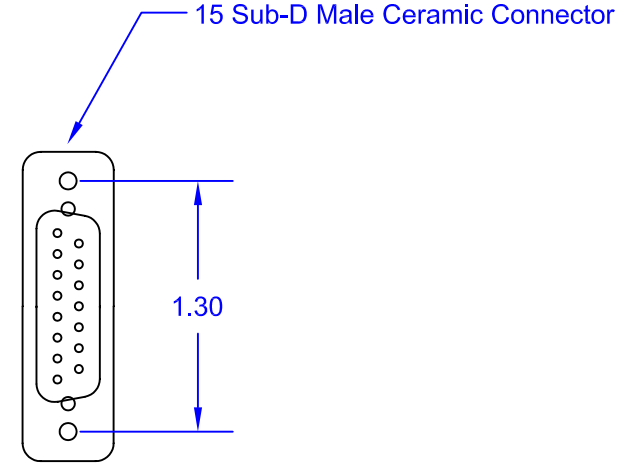
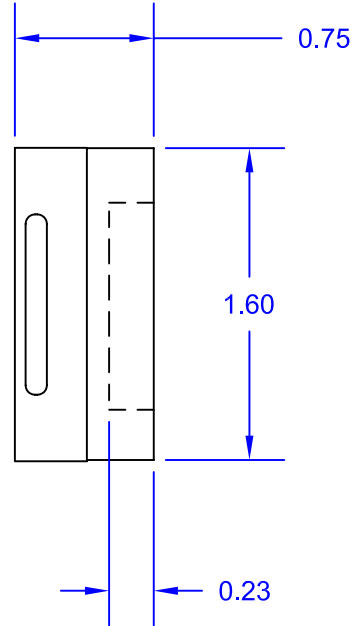
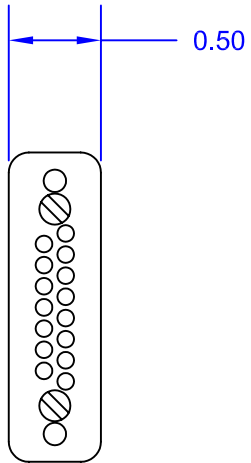


REVISIONS			
REV	DESCRIPTION	DATE	APPROVED



Special Notes :  
Connectors do not include contacts and must be purchased separately.



Accu-Glass Products Inc.  
700 Arroyo Ave.  
San Fernando, CA. 91340  
TEL. 818-365-4215  
FAX. 818-365-7074

Notes

Material <b>Macor-Ceramic</b>		Title <b>15D-MCP</b>		
Tolerances unless otherwise specified		Drawn By	M.Wilson	DWG NO.
Decimal	Angular	110903		Date
.xx= +/- .005	+/- 1°	4-9-08		
.xxx= +/- .002		Approved		SHEET