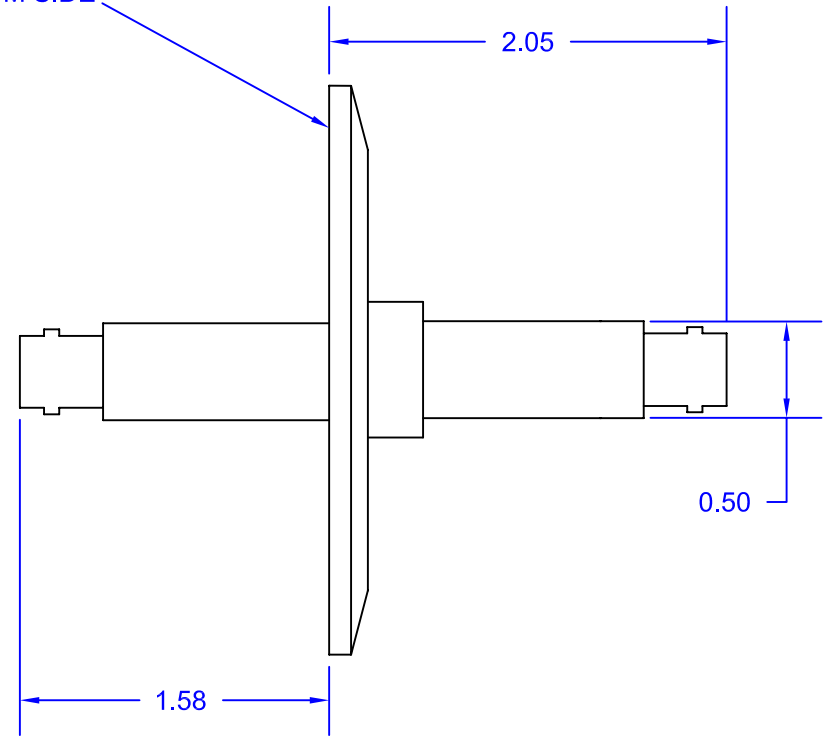
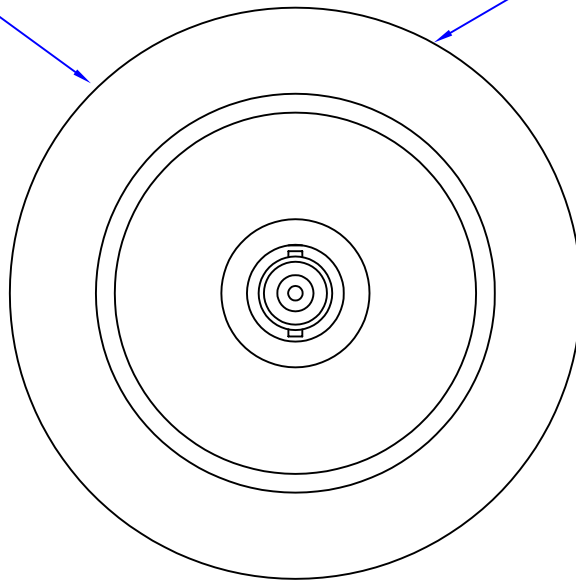


REVISIONS			
REV	DESCRIPTION	DATE	APPROVED

1 NW50 KF Flange

1 2.95 O.D.

VACUUM SIDE



Accu-Glass Products Inc.  
700 Arroyo Ave.  
San Fernando, CA. 91340  
TEL. 818-365-4215  
FAX. 818-365-7074

Notes :

**\* UNCONTROLLED WEB COPY \***

Material		Title		
Tolerances unless otherwise specified		2BNC-GS-K50		
Decimal	Angular	Drawn By	M.Wilson	DWG NO. 111325
.xx= +/- .005	+/- 1°	Approved		Date 2-27-98
.xxx= +/- .002				Cage Code : 4HCQ8