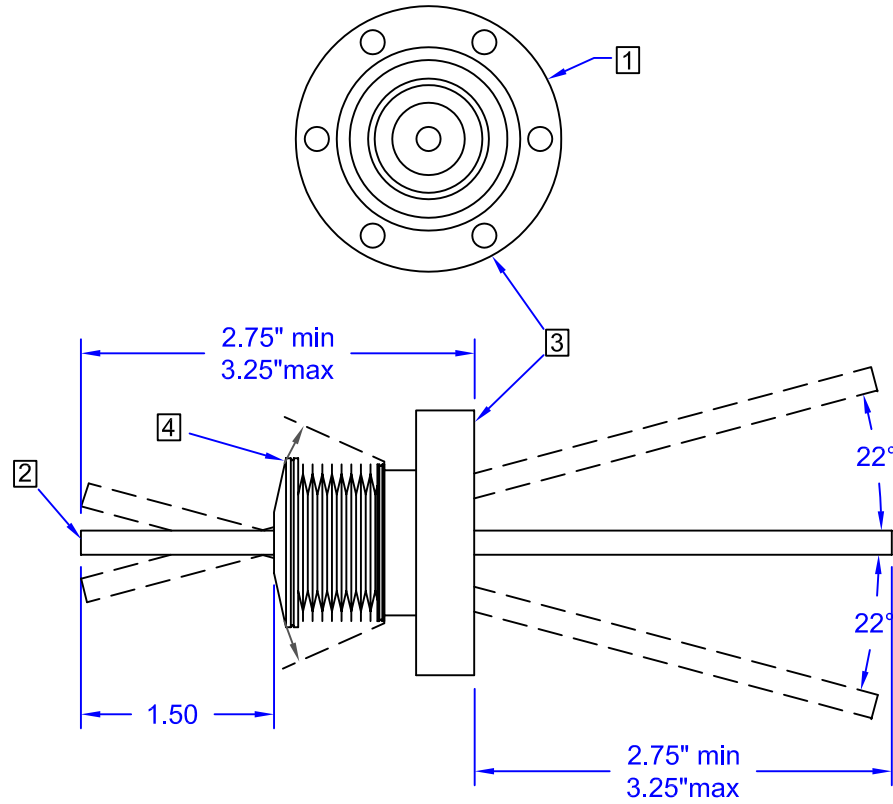


REVISIONS			
REV	DESCRIPTION	DATE	APPROVED

- 1 1.33 CF flange
- 2 0.125 ground shaft
- 3 Vacuum side view
- 4 Bellow end cap Dia.0.900



Accu-Glass Products Inc.
 700 Arroyo Ave.
 San Fernando, CA. 91340
 TEL. 818-365-4215
 FAX. 818-365-7074

Notes :

*** UNCONTROLLED WEB COPY ***

Material		Title		
Tolerances unless otherwise specified		WS-133-050		
Decimal	Angular	Drawn By	M.Wilson	DWG NO.
.xx= +/- .005	+/- 1°	Approved		111900
.xxx= +/- .002				Date
				2-5-08
				Cage Code : 4HCQ8