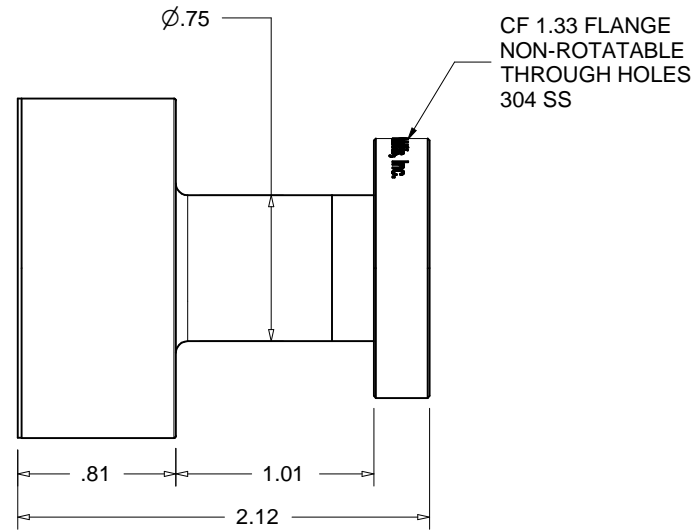
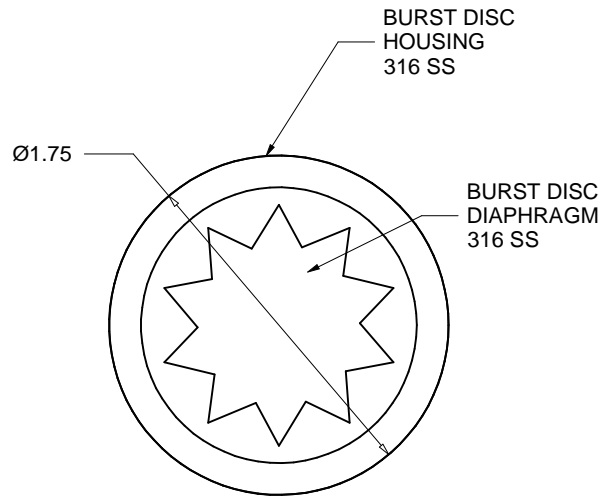
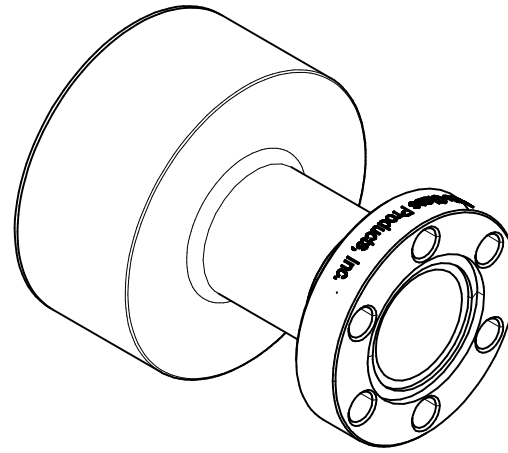


**PROPRIETARY AND CONFIDENTIAL**  
 THE INFORMATION CONTAINED IN THIS  
 DRAWING IS THE SOLE PROPERTY OF  
 ACCU-GLASS PRODUCTS INC. ANY  
 REPRODUCTION IN PART OR AS WHOLE  
 WITHOUT THE WRITTEN PERMISSION OF  
 ACCU-GLASS PRODUCTS INC. IS  
**PROHIBITED.**

Rev	Description	Date	Approved



Accu-Glass Products Inc.  
 700 Arroyo Ave.  
 San Fernando, CA 91340  
 TEL 818-365-4215  
 FAX 818-365-7074  
 accuglassproducts.com

Notes:  
 1. OPERATING TEMP. 150° C MAX.

Material SEE ABOVE	
Tolerances unless otherwise specified.	
.X ± .03	Angular: +/- .5°
.XX ± .01	Finish: Min. 63 Ra
.XXX ± .005	

Title: <b>BURST DISC MOUNTED ON A CF 1.33 FLANGE</b>			
Drawn By Date	CR 032509	DWG. NO. <b>112070</b>	Rev. <b>A</b>
Approved	C M	Sheet 1 OF 1	