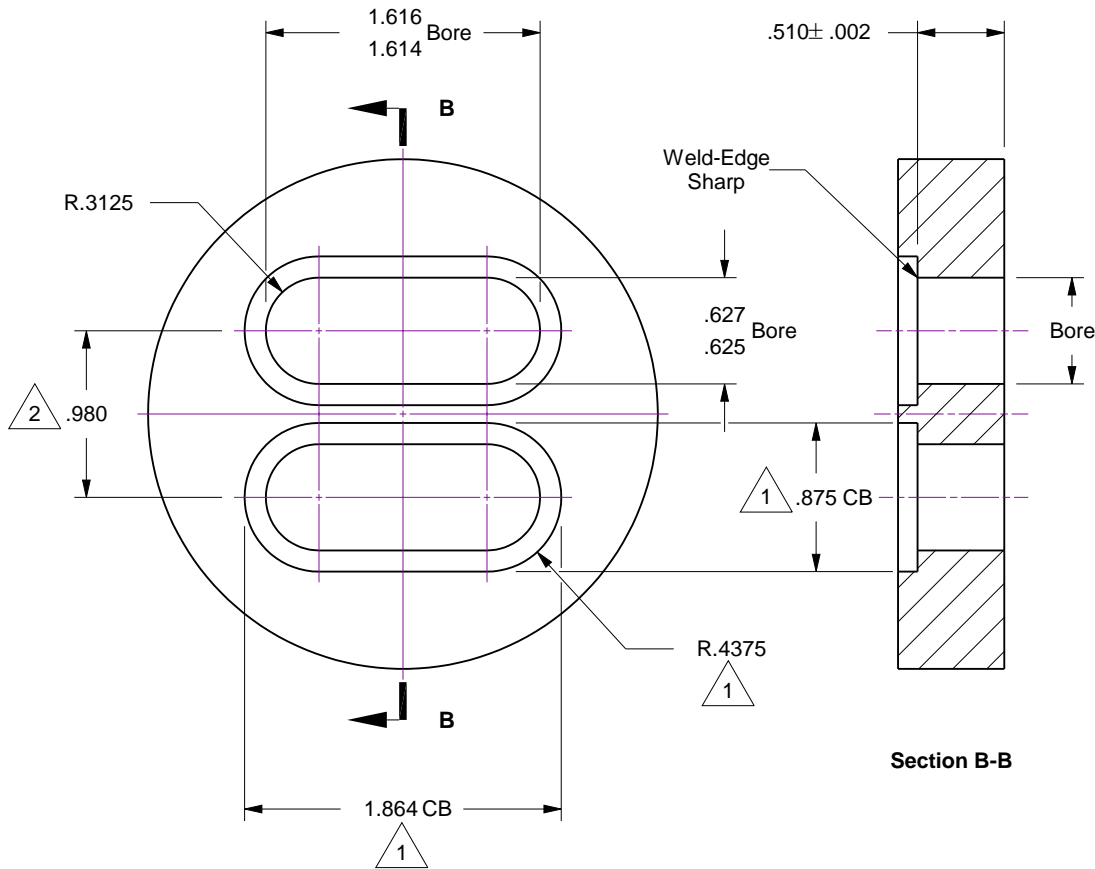


Notes

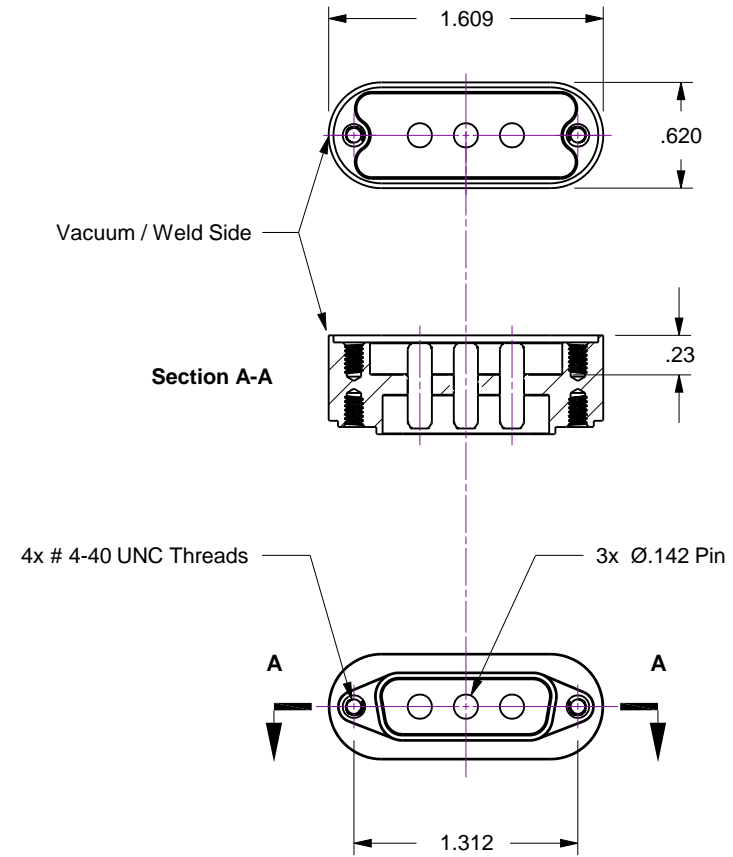
- 1. Counterbore feature (CB) is not required if flange or plate thickness is .510 Inch or thinner.
- 2. Multiple feedthroughs in a single counterbore must have a minimum of .820 inch between centers.
- 3. For flange / plate thickness of .700 or thicker, contact Accu-Glass Products, Inc.
- 4. Acceptable flange / plate materials... 304 or 316 Stainless steel

Rev.	Description	Date	Made By	Approval
A	Initial Release			

Flange Machining Detail



Feedthrough Detail



Accu-Glass Products Inc.
 25047 Anza Drive
 Valencia, CA 91355
 T 818-365-4215
 F 818-365-7074
 www.accuglassproducts.com

UNCONTROLLED WEB DRAWING

Proprietary and Confidential
 The information contained in this drawing is the sole property of Accu-Glass, Products Inc. Any reproduction, in part or as whole, without the written permission of Accu-Glass Products, Inc., is strictly prohibited.

Material	4	
Tolerances, unless otherwise specified		
.X ± .030	Angles ± 0.5° Finish 63Ra	
.XX ± .010		
.XXX ± .005		

Title			
3-Pin, Power-D (Subminiature-D) Feedthrough			
Drawn by	Ligeti	No.	Rev.
Date	2017/11/06	EAG-3PD	
Approved			Sheet