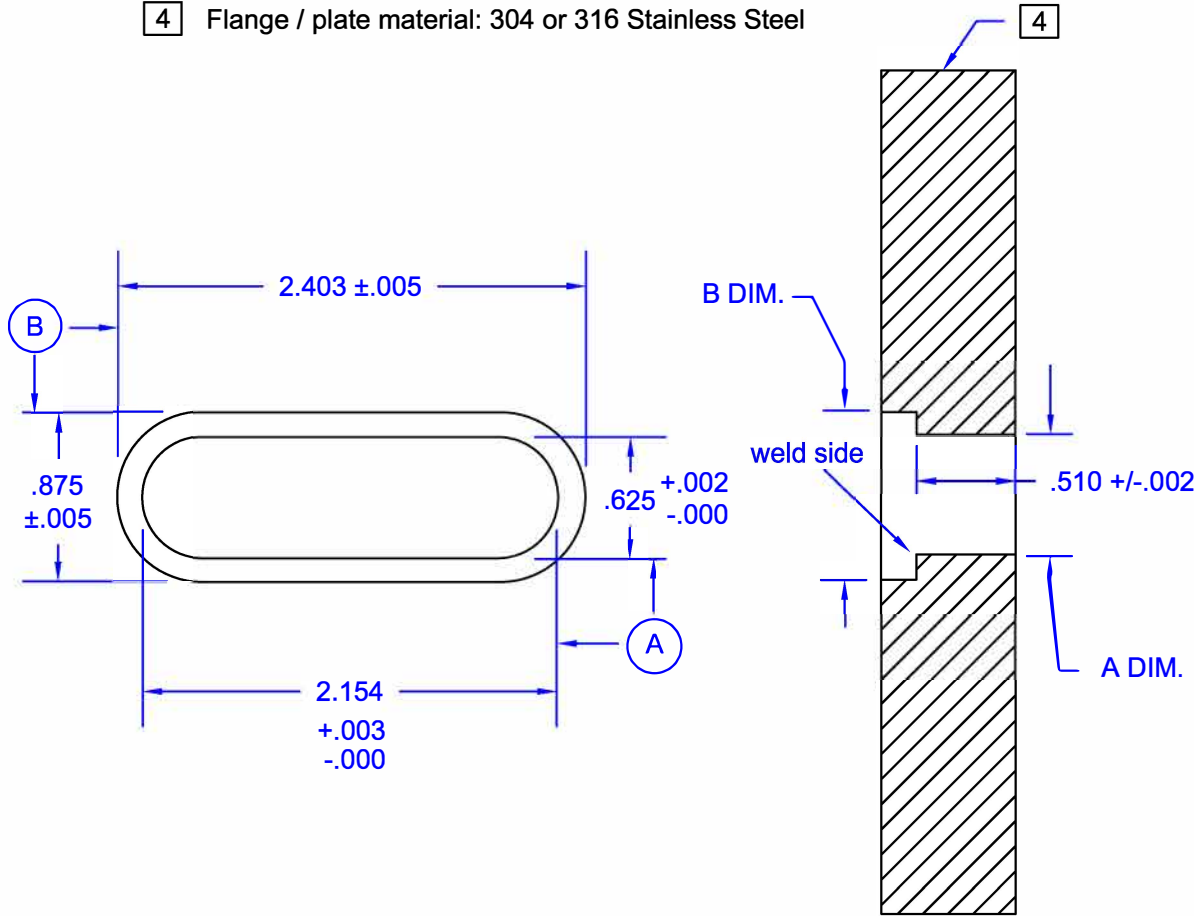
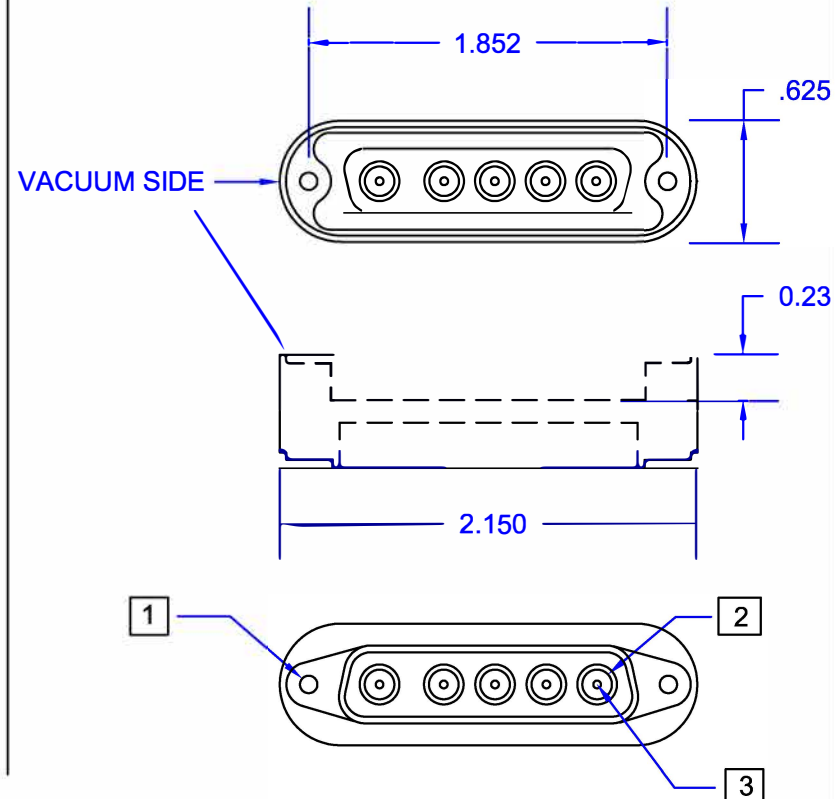


- NOTES :
- 1. B Dim. not needed for flanges / plates less than .500" thick.
 - 2. Space required between connectors : 5 pin coaxial D-Type = .250
 - 3. Flanges .700" thick or larger Contact Accu-Glass Products Inc.
 - 4. Flange / plate material: 304 or 316 Stainless Steel



| REVISIONS | | | |
|-----------|-------------|------|----------|
| REV | DESCRIPTION | DATE | APPROVED |

- 1 4-40 UNC Thread 4 plcs.
- 2 0.153 Dia TYP. body conductor
- 3 0.040 Pin Dia TYP. center conductor



Accu-Glass Products Inc.
 25047 Anza Drive
 Valencia, CA 91355
 TEL 818-365-4215
 FAX 818-365-7074
 accuglassproducts.com

Notes :

*** UNCONTROLLED WEB COPY ***

Material
304 Stainless Steel

Tolerances unless otherwise specified
 Decimal Angular
 .xx= +/- .005 +/- 1°
 .xxx= +/- .002

Title
5 Pin Coaxial Sub-D Feedthrough

| | | | | | |
|----------|----------|---------|---------|-------------------|--------|
| Drawn By | M.Wilson | DWG NO. | EAG-5CX | Date | 1-3-97 |
| Approved | | | | Cage Code : 4HCQ8 | |