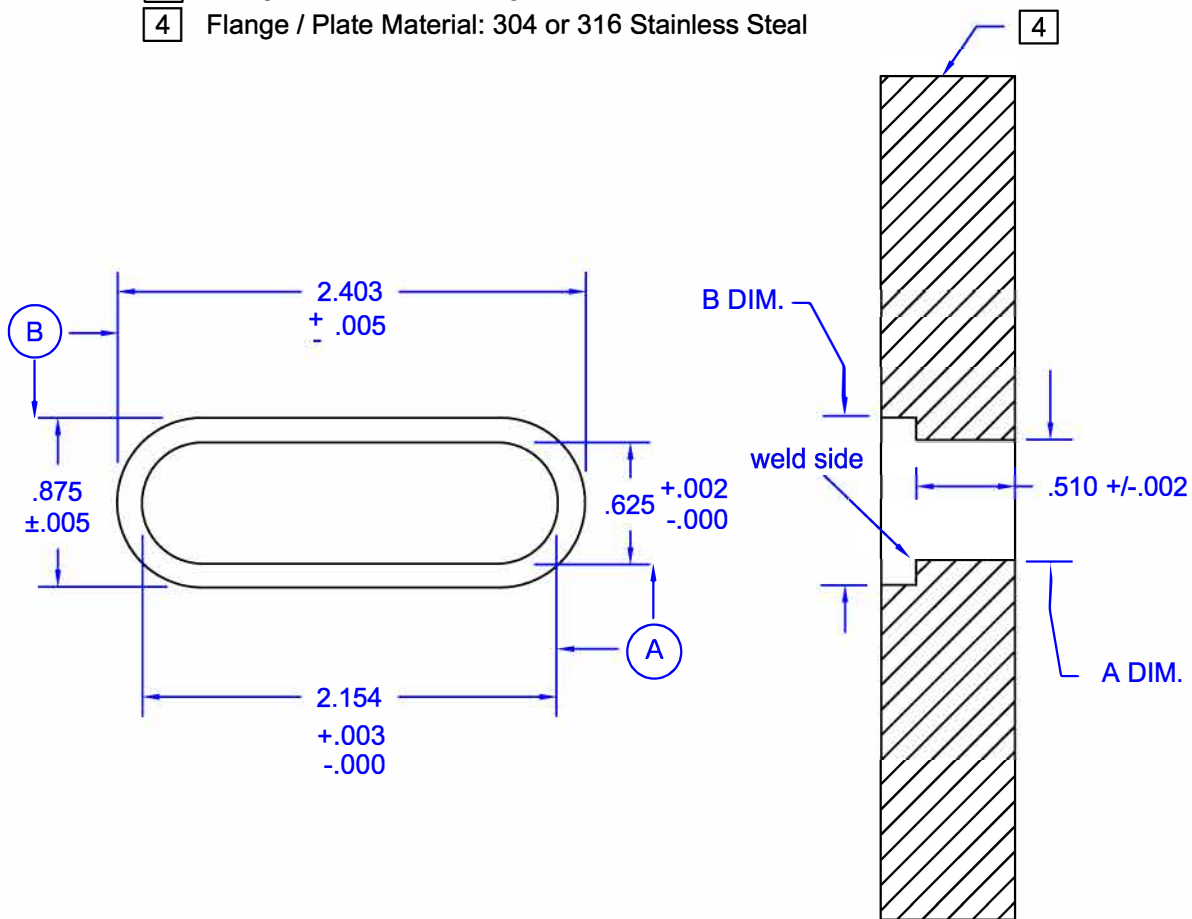
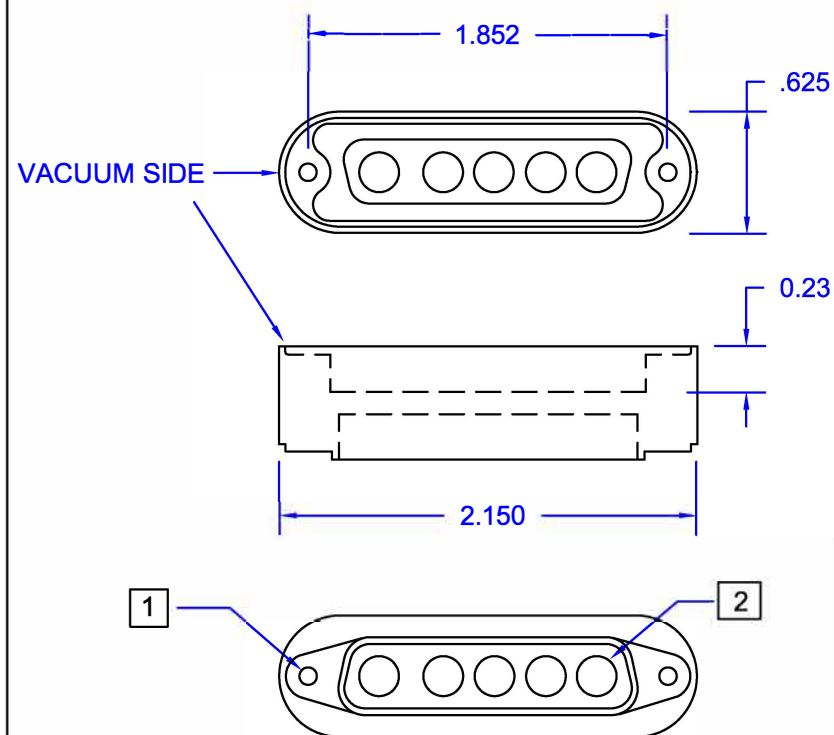


- NOTES :
1. B Dim. not needed for flanges / plates less than .500 thick.
 2. Space required between connectors : 5 pin power = .250
 3. Flanges .700" thick or larger Contact Accu-Glass Products Inc.
 4. Flange / Plate Material: 304 or 316 Stainless Steel



REVISIONS			
REV	DESCRIPTION	DATE	APPROVED

- 1 4-40 UNC Thread 4 plcs.
- 2 0.142 Pin Dia TYP.




 Accu-Glass Products Inc.
 25047 Anza Drive
 Valencia, CA 91355
 TEL 818-365-4215
 FAX 818-365-7074
 accuglassproducts.com

Notes

UNCONTROLLED WEB COPY

Material 304 SS		Title 5 Pin power Sub-D Feedthrough	
Tolerances unless otherwise specified		Drawn By M.Wilson	DWG NO. EAG-5DP
Decimal .xx= +/- .005 .xxx= +/- .002	Angular +/- 1°	Approved	Date 11-20-07
		SHEET	