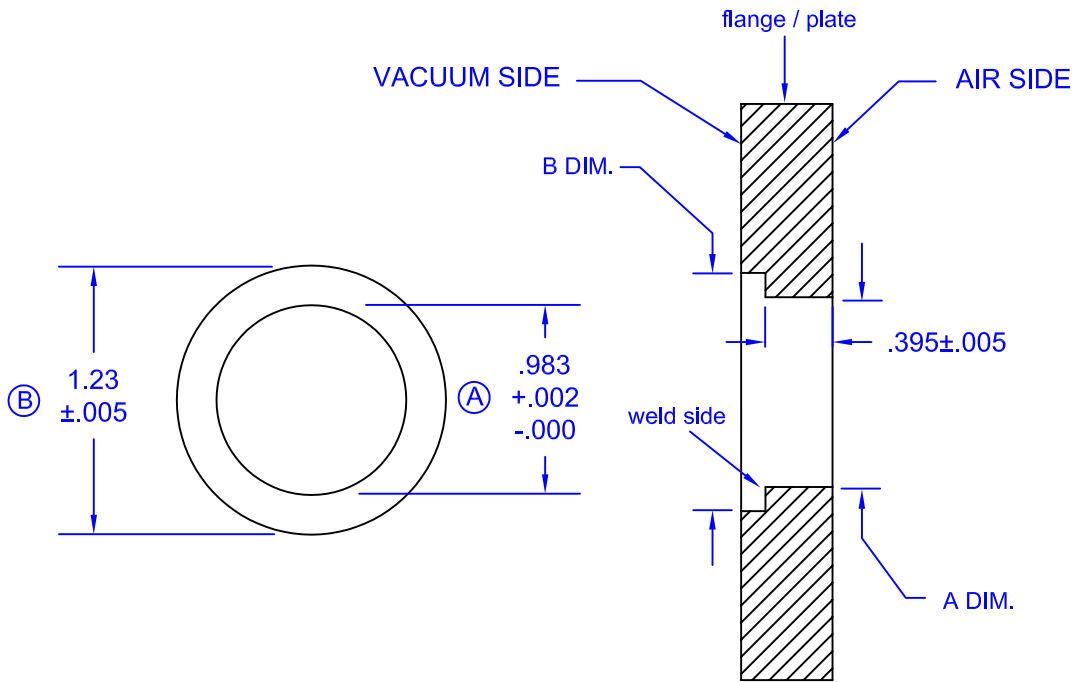
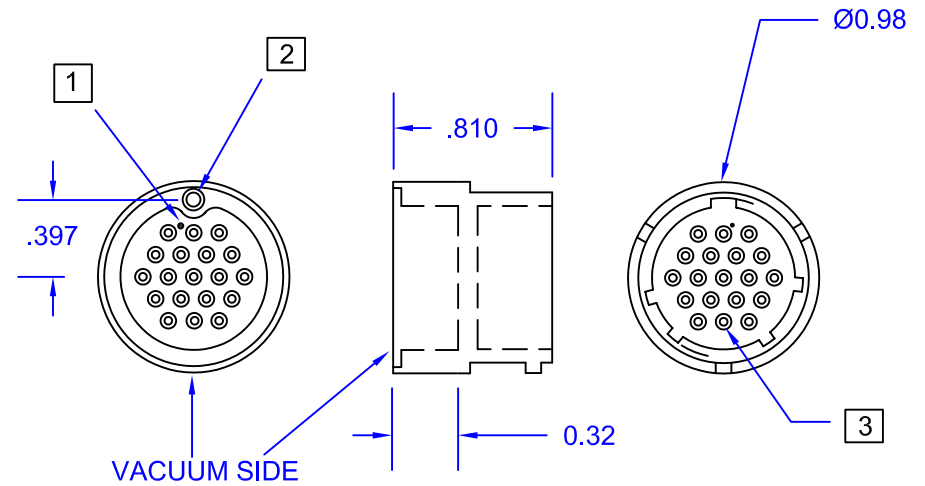


REVISIONS			
REV	DESCRIPTION	DATE	APPROVED

- NOTES :
- 1 B Dim. not needed for flanges / plates less than .400 thick.
 - 2 Space required between connectors : 19C = .250
 - 3 Flanges .800 thick or larger, Contact Accu-Glass Products Inc.



- 1 Pin Position Mark Both Sides.
- 2 4-40 UNC Thread
- 3 0.040 Pin Dia TYP.



NOTES:

1. CONNECTOR INTERFACE PER MIL-C-26482



Accu-Glass Products Inc.
700 Arroyo Ave.
San Fernando, CA. 91340
TEL. 818-365-4215
FAX. 818-365-7074

Notes :

*** UNCONTROLLED WEB COPY ***

Material 304 SS		Title 19 Pin C-Type Feedthrough	
Tolerances unless otherwise specified Decimal Angular		Drawn By M. Wilson	DWG NO. EAG-19C
.xx= +/- .005	+/- 1°	Approved	Date 7-11-07
.xxx= +/- .002			Cage Code : 4HCQ8