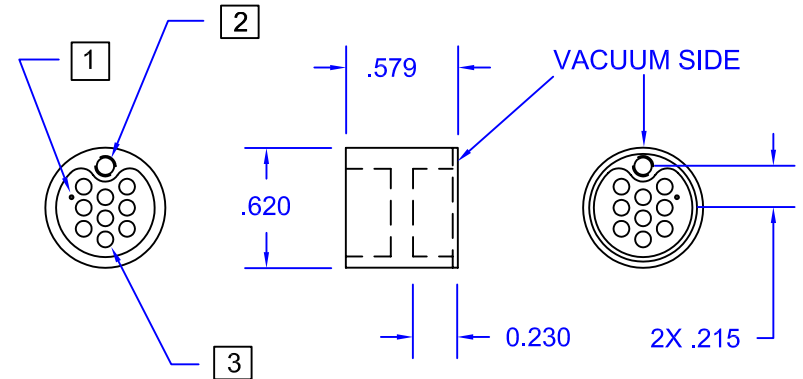
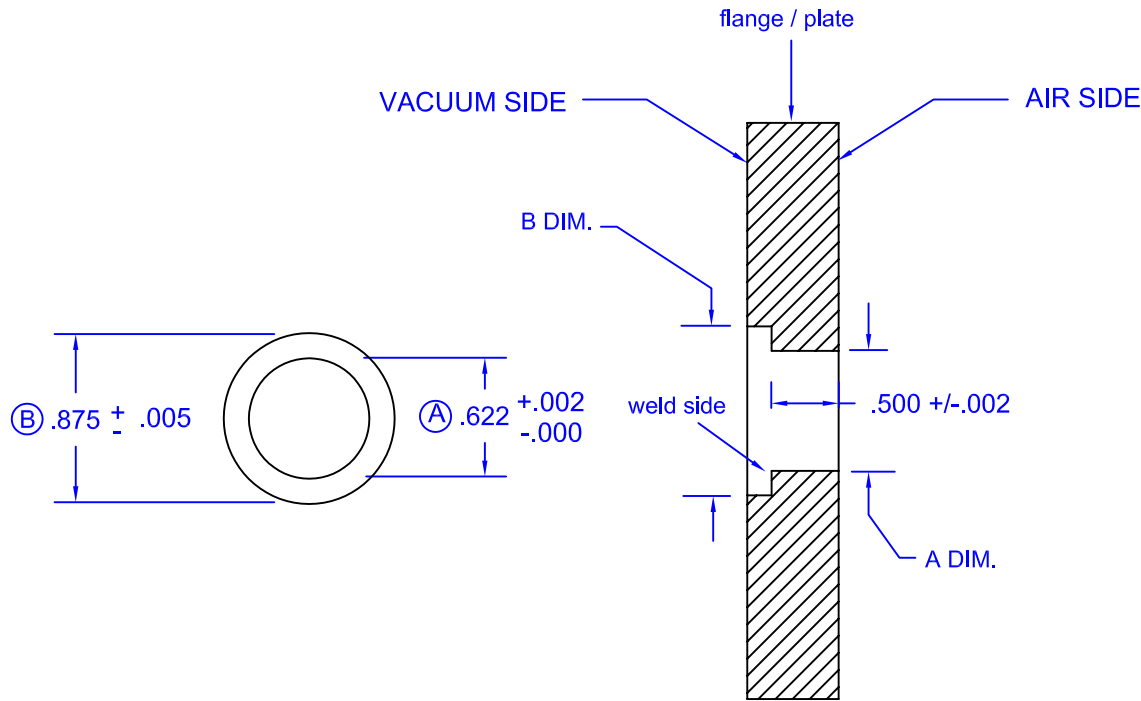


REVISIONS			
REV	DESCRIPTION	DATE	APPROVED

- NOTES :
- 1 B Dim. not needed for flanges / plates less than .500 thick.
 - 2 Space required between connectors : 9C = .250
 - 3 Flanges .700" thick or larger Contact Accu-Glass Products Inc.

- 1 Pin Position Mark Both Sides.
- 2 4-40 UNC Thread Both sides.
- 3 0.040 Pin Dia TYP.



Accu-Glass Products Inc.
 700 Arroyo Ave.
 San Fernando, CA. 91340
 TEL. 818-365-4215
 FAX. 818-365-7074

Notes :

*** UNCONTROLLED WEB COPY ***

Material 304 SS		Title 9 Pin C-Type Feedthrough	
Tolerances unless otherwise specified Decimal Angular		Drawn By M. Wilson	Date 7-11-97
.xx= +/- .005	+/- 1°	DWG NO. EAG-9C	Cage Code : 4HCQ8
.xxx= +/- .002		Approved	