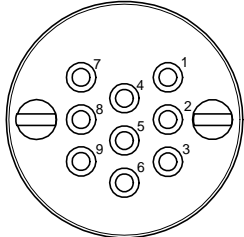
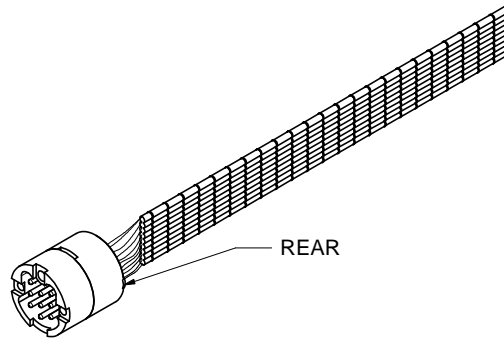


**PROPRIETARY AND CONFIDENTIAL**  
 THE INFORMATION CONTAINED IN THIS DRAWING IS THE SOLE PROPERTY OF ACCU-GLASS PRODUCTS INC. ANY REPRODUCTION IN PART OR AS WHOLE WITHOUT THE WRITTEN PERMISSION OF ACCU-GLASS PRODUCTS INC. IS **PROHIBITED.**

HOLE NUMBER ASSIGNMENTS  
 REAR VIEW

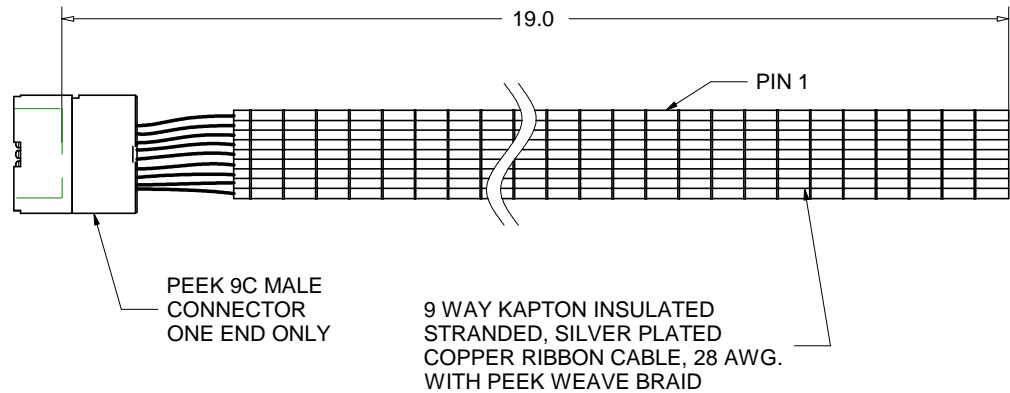
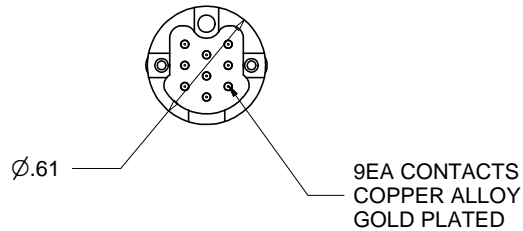


NUMBERS DO NOT APPEAR  
 ON PART



REAR

Rev	Description	Date	Approved
A	INITIAL RELEASE		



Accu-Glass Products Inc.  
 25047 Anza Drive  
 Valencia, CA 91355  
 TEL 818-365-4215  
 FAX 818-365-7074  
 accuglassproducts.com

Notes:  
 1. DIMENSIONS SYMMETRICAL ABOUT CENTERLINES

**\*UNCONTROLLED WEB COPY\***

Material SEE ABOVE	
Tolerances unless otherwise specified.	
.X ± .03	Angular: +/- .5°
.XX ± .01	Finish: Min. 63 Ra
.XXX ± .005	

Title: <b>CKAP-R9-19PC</b>			
PEEK 9C MALE, KAPTON RIBBON 19" LONG			
Drawn By Date	CR 102709	DWG. NO. <b>100100</b>	Rev.
Approved	C M	PDFE	Sheet 1 OF 1