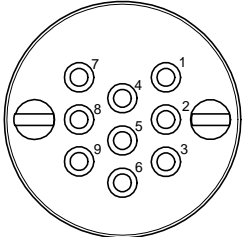
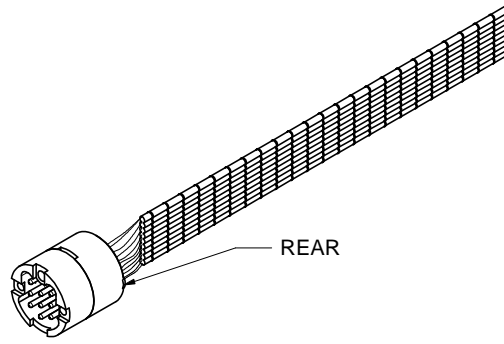


PROPRIETARY AND CONFIDENTIAL
 THE INFORMATION CONTAINED IN THIS DRAWING IS THE SOLE PROPERTY OF ACCU-GLASS PRODUCTS INC. ANY REPRODUCTION IN PART OR AS WHOLE WITHOUT THE WRITTEN PERMISSION OF ACCU-GLASS PRODUCTS INC. IS **PROHIBITED.**

**HOLE NUMBER ASSIGNMENTS
 REAR VIEW**

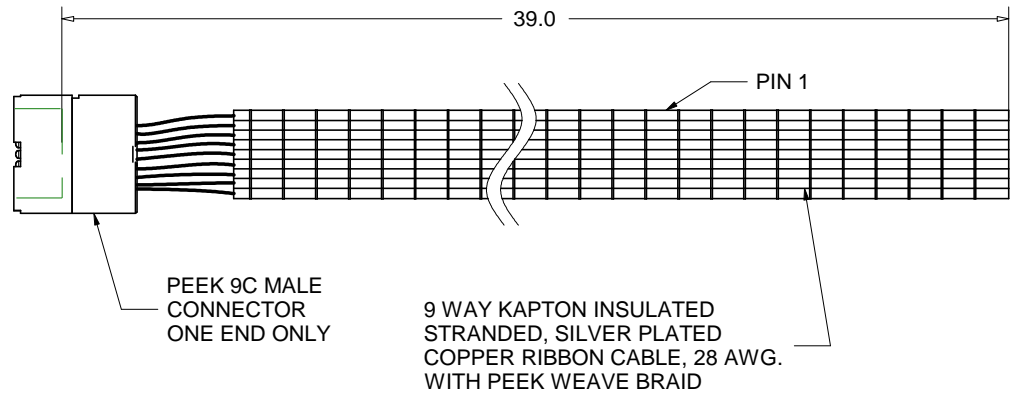
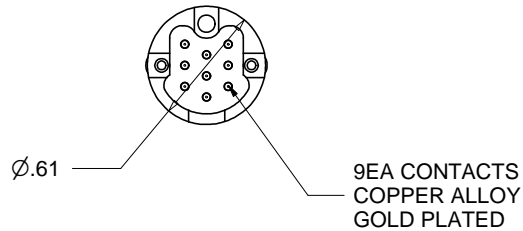


NUMBERS DO NOT APPEAR ON PART



REAR

Rev	Description	Date	Approved
A	INITIAL RELEASE		



Accu-Glass Products Inc.
 25047 Anza Drive
 Valencia, CA 91355
 TEL 818-365-4215
 FAX 818-365-7074
 accuglassproducts.com

Notes:
 1. DIMENSIONS SYMMETRICAL ABOUT CENTERLINES

UNCONTROLLED WEB COPY

Material
 SEE ABOVE

Tolerances unless otherwise specified.

.X ± .03	Angular: +/- .5°
.XX ± .01	Finish: Min. 63 Ra
.XXX ± .005	

Title: **CKAP-R9-39PC**
PEEK 9C MALE, KAPTON RIBBON 39" LONG

Drawn By Date	CR 102709	DWG. NO. 100101	Rev. A
Approved	C M	PDFE	Sheet 1 OF 1