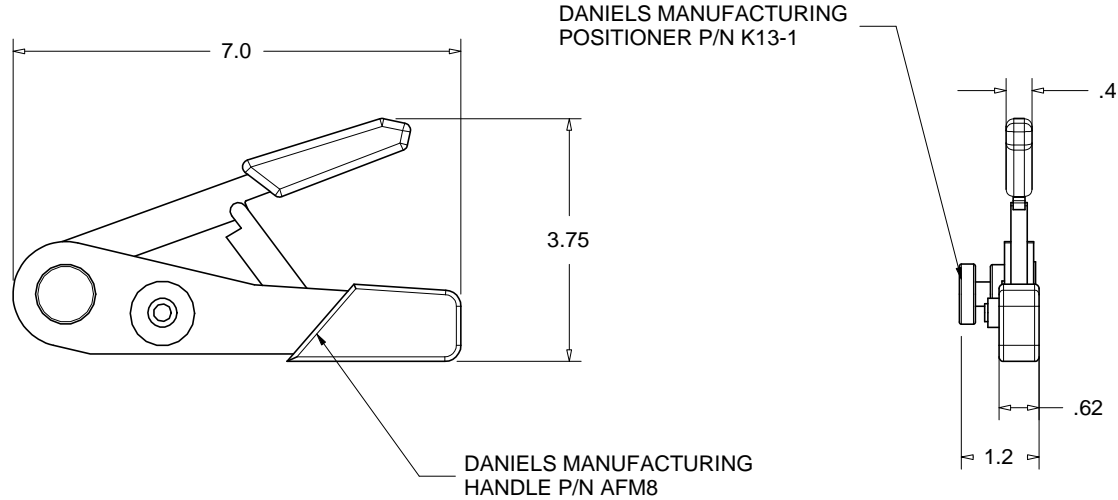
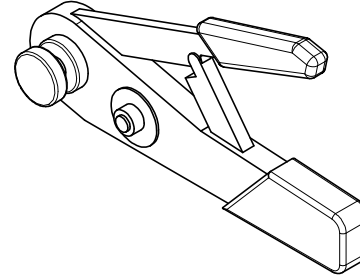


PROPRIETARY AND CONFIDENTIAL
 THE INFORMATION CONTAINED IN THIS
 DRAWING IS THE SOLE PROPERTY OF
 ACCU-GLASS PRODUCTS INC. ANY
 REPRODUCTION IN PART OR AS WHOLE
 WITHOUT THE WRITTEN PERMISSION OF
 ACCU-GLASS PRODUCTS INC. IS
PROHIBITED.

Rev	Description	Date	Approved
A	INITIAL RELEASE	020310	C M



RELATED CONTACTS, CRIMP TOOL
P/N 110008, STD., MALE, TYPE T-2, USE WITH 20-24AWG WIRE
P/N 110036, STD., MALE, TYPE T-2, USE WITH 26-30AWG WIRE
P/N 100009, STD., FEMALE, TYPE T-2, USE WITH 20-24AWG WIRE
P/N 110035, STD., FEMALE, TYPE T-2, USE WITH 26-30AWG WIRE

FOR REFERENCE ONLY



Accu-Glass Products Inc.
 25047 Anza Drive
 Valencia, CA 91355
 TEL 818-365-4215
 FAX 818-365-7074
 accuglassproducts.com

Notes:
 1. DIMENSIONS SYMMETRICAL ABOUT CENTERLINES

UNCONTROLLED WEB COPY

Material ASSEMBLY	
Tolerances unless otherwise specified.	
.X ± .03	Angular: +/- .5°
.XX ± .01	Finish: Min. 63 Ra
.XXX ± .005	

Title: DCT-2			
CRIMP TOOL, STD, CONTACT TYPE T-2			
Drawn By Date	CR 080309	DWG. NO. 100193	Rev. A
Approved	C M	PDFE	Sheet 1 OF 1