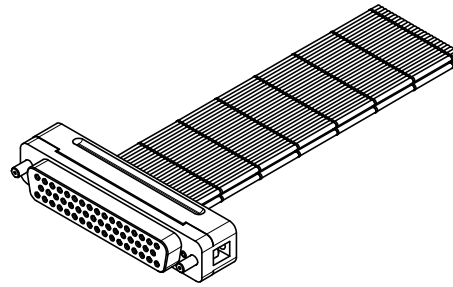
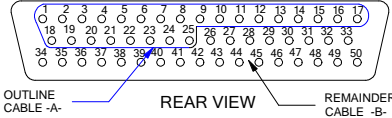


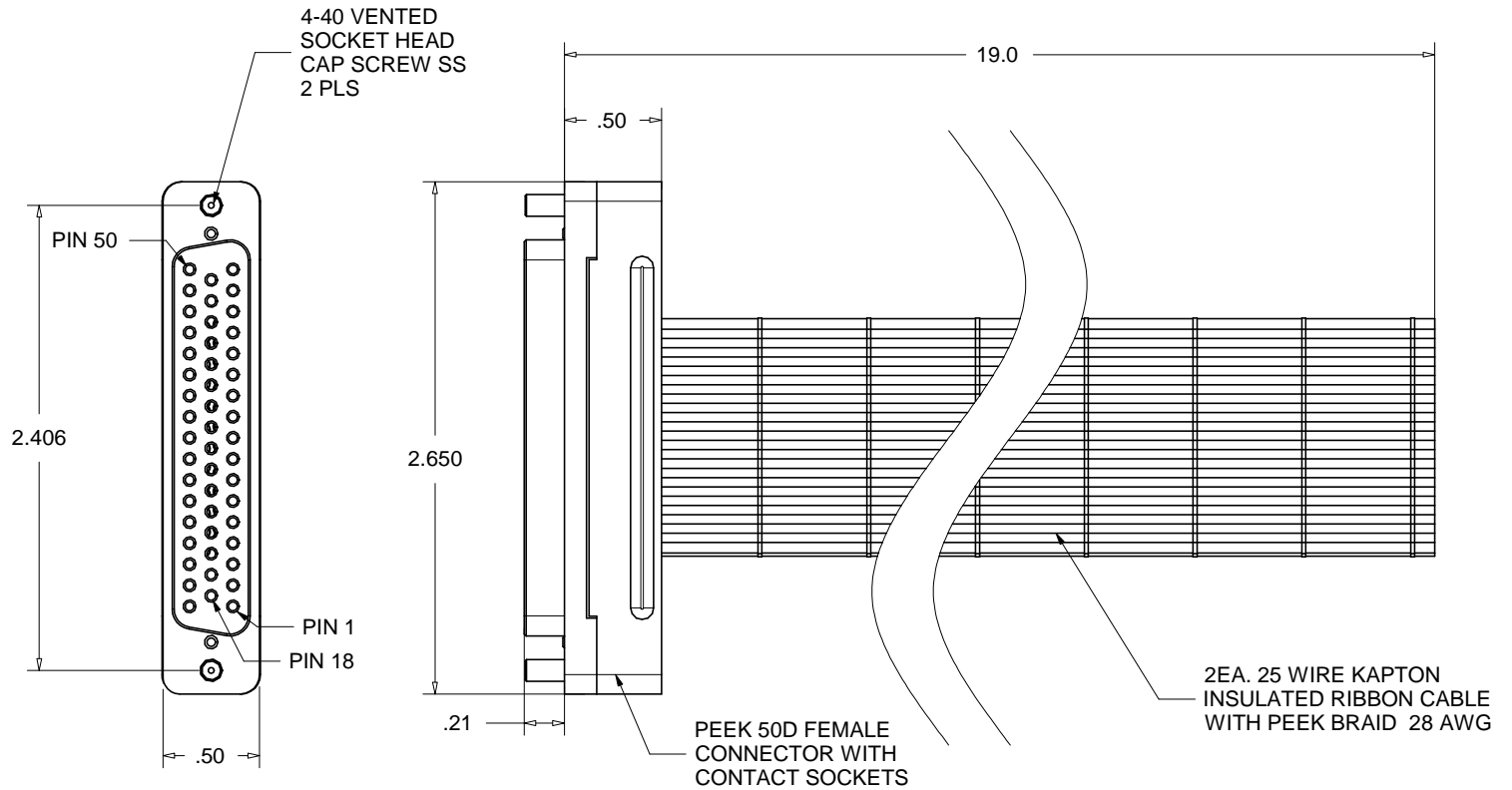
**PROPRIETARY AND CONFIDENTIAL**  
 THE INFORMATION CONTAINED IN THIS DRAWING IS THE SOLE PROPERTY OF ACCU-GLASS PRODUCTS INC. ANY REPRODUCTION IN PART OR AS WHOLE WITHOUT THE WRITTEN PERMISSION OF ACCU-GLASS PRODUCTS INC. IS **PROHIBITED.**

Rev	Description	Date	Approved
A	INITIAL RELEASE	020910	C M

PIN NUMBER ASSIGNMENTS  
 FEMALE 50D CONNECTOR



CABLE (A) - CONNECTOR	CABLE (B) - CONNECTOR
1 - 1	1 - 34
2 - 18	2 - 35
3 - 2	3 - 36
4 - 19	4 - 37
5 - 3	5 - 38
6 - 20	6 - 39
7 - 4	7 - 40
8 - 21	8 - 41
9 - 5	9 - 42
10 - 22	10 - 26
11 - 6	11 - 43
12 - 23	12 - 27
13 - 7	13 - 44
14 - 24	14 - 28
15 - 8	15 - 45
16 - 25	16 - 29
17 - 9	17 - 46
18 - 10	18 - 30
19 - 11	19 - 47
20 - 12	20 - 31
21 - 13	21 - 48
22 - 14	22 - 32
23 - 15	23 - 49
24 - 16	24 - 33
25 - 17	25 - 50




Accu-Glass Products Inc.  
 25047 Anza Drive  
 Valencia, CA 91355  
 TEL 818-365-4215  
 FAX 818-365-7074  
 accuglassproducts.com

Notes:  
 1. DIMENSIONS SYMMETRICAL ABOUT CENTERLINES

**\*UNCONTROLLED WEB COPY\***

Material assembly	
Tolerances unless otherwise specified.	
.X ± .03	Angular: +/- .5°
.XX ± .01	Finish: Min. 63 Ra
.XXX ± .005	

Title: <b>KAP-R50-19SC</b>			
PEEK 50D WITH 2EA 25 WIRE KAPTON RIBBON 19"LG			
Drawn By Date	CR 2/9/2010	DWG. NO. <b>100390</b>	Rev. <b>A</b>
Approved	C M	PDFE	Sheet 1 OF 1