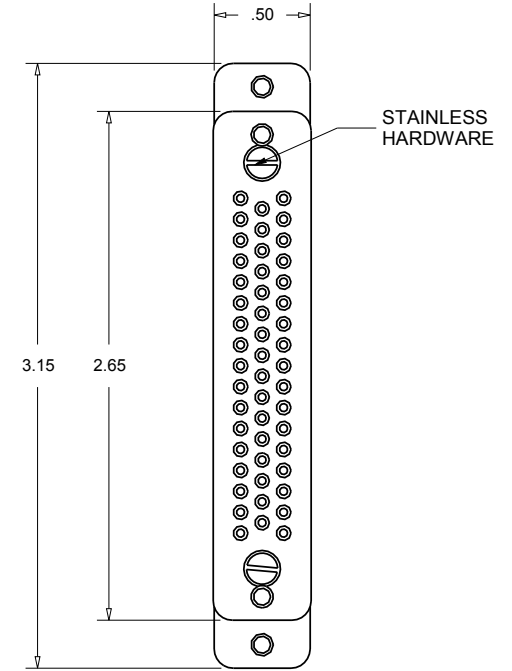
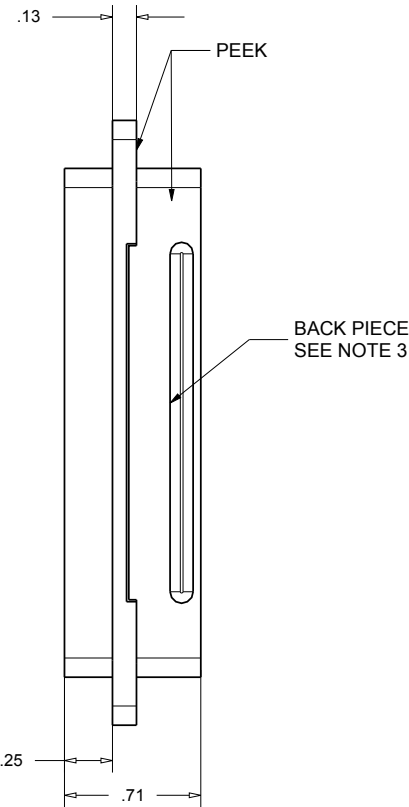
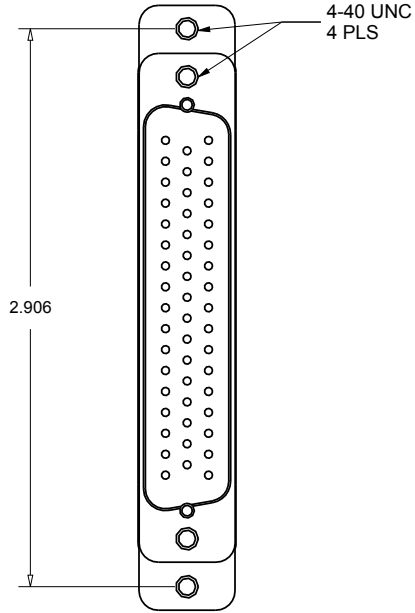
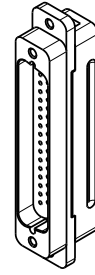


1
PROPRIETARY AND CONFIDENTIAL
 THE INFORMATION CONTAINED IN THIS DRAWING IS THE SOLE PROPERTY OF ACCU-GLASS PRODUCTS INC. ANY REPRODUCTION IN PART OR AS WHOLE WITHOUT THE WRITTEN PERMISSION OF ACCU-GLASS PRODUCTS INC. IS **PROHIBITED.**

Rev	Description	Date	Approved
A	INITIAL RELEASE		



Accu-Glass Products Inc.
 25047 Anza Drive.
 Valencia, CA 91355
 TEL 818-365-4215
 FAX 818-365-7074
 accuglassproducts.com

- Notes:
1. DIMENSIONS SYMMETRICAL ABOUT CENTERLINES
 2. CONNECTORS DO NOT INCLUDE CONTACT PINS
 3. WIRE MUST BE THREADED THROUGH BACK PIECE BEFORE CRIMPING CONTACT

UNCONTROLLED WEB COPY

Material PEEK NATURAL	
Tolerances unless otherwise specified.	
.X ± .03	Angular: +/- .5°
.XX ± .01	Finish: Min. 63 Ra
.XXX ± .005	

Title: 50D-PKP-E			
PEEK 50D MALE CONN. ASSY W/ PANEL MNT EARS			
Drawn By Date	CR 2/28/2013	DWG. NO.	100431
Approved	JAMIE F.	Rev.	A
			Sheet 1 OF 1