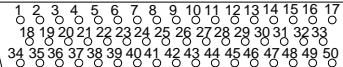


PROPRIETARY AND CONFIDENTIAL
 THE INFORMATION CONTAINED IN THIS DRAWING IS THE SOLE PROPERTY OF ACCU-GLASS PRODUCTS INC. ANY REPRODUCTION IN PART OR AS WHOLE WITHOUT THE WRITTEN PERMISSION OF ACCU-GLASS PRODUCTS INC. IS **PROHIBITED.**

**PIN NUMBER ASSIGNMENTS
 FEMALE 50D CONNECTOR**



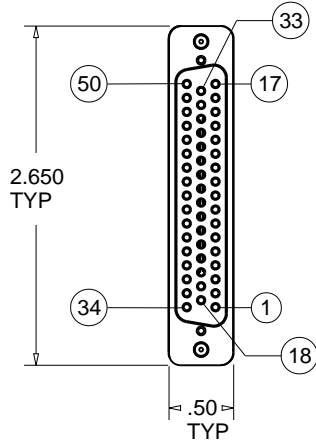
REAR VIEW

Pin Out

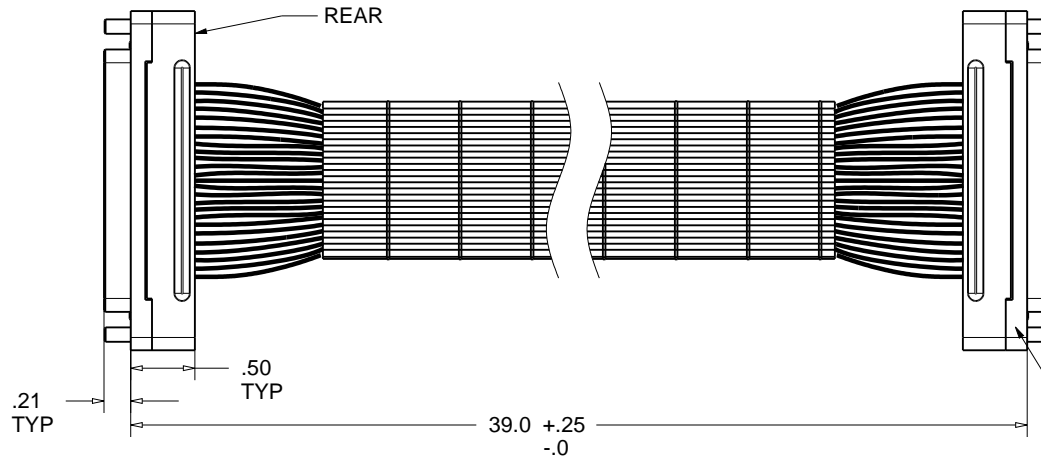
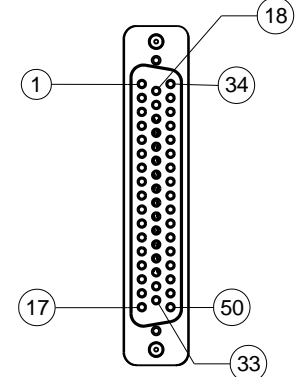
Connector	Description	Connector	Description
A - B		A - B	
1 - 17	28 AWG KAPTON	26 - 25	28 AWG KAPTON
2 - 16	28 AWG KAPTON	27 - 24	28 AWG KAPTON
3 - 15	28 AWG KAPTON	28 - 23	28 AWG KAPTON
4 - 14	28 AWG KAPTON	29 - 22	28 AWG KAPTON
5 - 13	28 AWG KAPTON	30 - 21	28 AWG KAPTON
6 - 12	28 AWG KAPTON	31 - 20	28 AWG KAPTON
7 - 11	28 AWG KAPTON	32 - 19	28 AWG KAPTON
8 - 10	28 AWG KAPTON	33 - 18	28 AWG KAPTON
9 - 09	28 AWG KAPTON	34 - 50	28 AWG KAPTON
10 - 08	28 AWG KAPTON	35 - 49	28 AWG KAPTON
11 - 07	28 AWG KAPTON	36 - 48	28 AWG KAPTON
12 - 06	28 AWG KAPTON	37 - 47	28 AWG KAPTON
13 - 05	28 AWG KAPTON	38 - 46	28 AWG KAPTON
14 - 04	28 AWG KAPTON	39 - 45	28 AWG KAPTON
15 - 03	28 AWG KAPTON	40 - 44	28 AWG KAPTON
16 - 02	28 AWG KAPTON	41 - 43	28 AWG KAPTON
17 - 01	28 AWG KAPTON	42 - 42	28 AWG KAPTON
18 - 33	28 AWG KAPTON	43 - 41	28 AWG KAPTON
19 - 32	28 AWG KAPTON	44 - 40	28 AWG KAPTON
20 - 31	28 AWG KAPTON	45 - 39	28 AWG KAPTON
21 - 30	28 AWG KAPTON	46 - 38	28 AWG KAPTON
22 - 29	28 AWG KAPTON	47 - 37	28 AWG KAPTON
23 - 28	28 AWG KAPTON	48 - 36	28 AWG KAPTON
24 - 27	28 AWG KAPTON	49 - 35	28 AWG KAPTON
25 - 26	28 AWG KAPTON	50 - 34	28 AWG KAPTON

Rev	Description	Date	Approved
B	Corrected Pin-out table	140922	AL

-A-
CONNECTOR
FACE VIEW



-B-
CONNECTOR
FACE VIEW



50D PEEK FEMALE
CONNECTOR ASSEMBLY
WITH CONTACT SOCKETS
BOTH ENDS

25 WAY KAPTON INSULATED RIBBON
STRANDED, SILVER PLATED WIRES.
28 AWG WITH PEEK BRAID. 2 PER ASSEMBLY

Notes:
1. DIMINIONS SYMMETRICAL ABOUT CENTERLINES

Material
ASSEMBLY

Title: **KAP-R50-392SC**
2EA 50D FEMALE PEEK, KAPTON RIBBON 39"LG

Tolerances unless otherwise specified.

Drawn By: CR 022210
Date: DWG. NO. 100481
Rev. B

.X ± .03
.XX ± .01
.XXX ± .005
Angular:
+/- .5°
Finish:
Min. 63 Ra

Approved: C M
Sheet 1 OF 1

UNCONTROLLED WEB COPY



Accu-Glass Products Inc.
25047 Anza Drive
Valencia, CA 91355
T 818-365-4215
F 818-365-7074
accuglassproducts.com