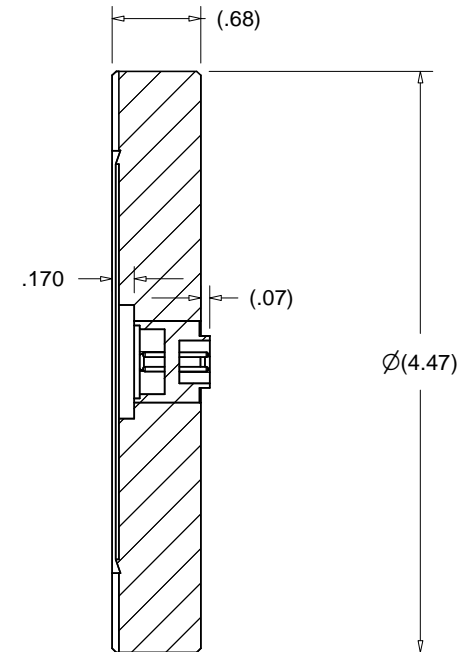
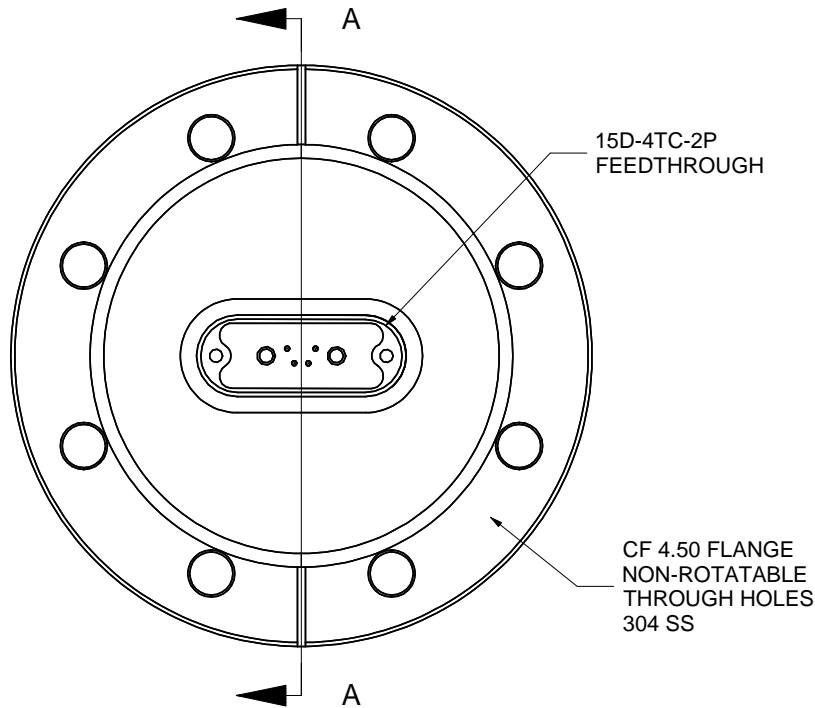
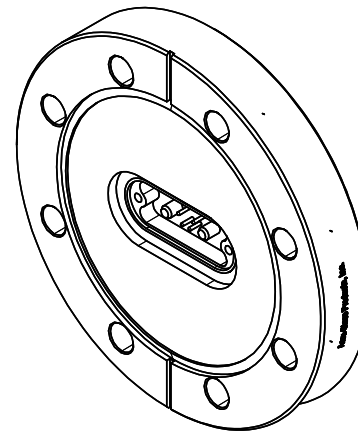


PROPRIETARY AND CONFIDENTIAL
 THE INFORMATION CONTAINED IN THIS DRAWING IS THE SOLE PROPERTY OF ACCU-GLASS PRODUCTS INC. ANY REPRODUCTION IN PART OR AS WHOLE WITHOUT THE WRITTEN PERMISSION OF ACCU-GLASS PRODUCTS INC. IS **PROHIBITED.**

Specifications:	
Voltage	TC pins - Milivolts Power Pins - 500 VDC
Current	TC Pins - Milliamps Power Pins - 20A Max. @20° C per pin
Temperature	-200 ° C to 250 ° C
Vacuum Level	UHV 1x10 ⁻¹⁰ Torr.



Section A-A

Related Flange Hardware	4.50" CF Flange
P/N 200810,	Copper Gasket
P/N 200813,	Bolts, Nuts and Washers set

ACCU-GLASS PRODUCTS
 Accu-Glass Products Inc.
 25047 Anza Drive
 Valencia, CA 91355
 TEL 818-365-4215
 FAX 818-365-7074
 accuglassproducts.com

- Notes:
 1. DIM'S SYM ABOUT CENTERLINES
 2. No detectable leaks @ 5x10⁻¹⁰ cc/s He.

UNCONTROLLED WEB COPY

Material SEE ABOVE	
Tolerances unless otherwise specified.	
.X ± .03	Angular: +/- .5°
.XX ± .01	Finish: Min. 63 Ra
.XXX ± .005	

Title: 15D-4TC2P-450 CF450 CUT FOR 4TC2P FEEDTHROUGH			
Drawn By Date	CR 060209	DWG. NO. 100800	Rev. A
Approved	C M	PDFE	Sheet 1 OF 1