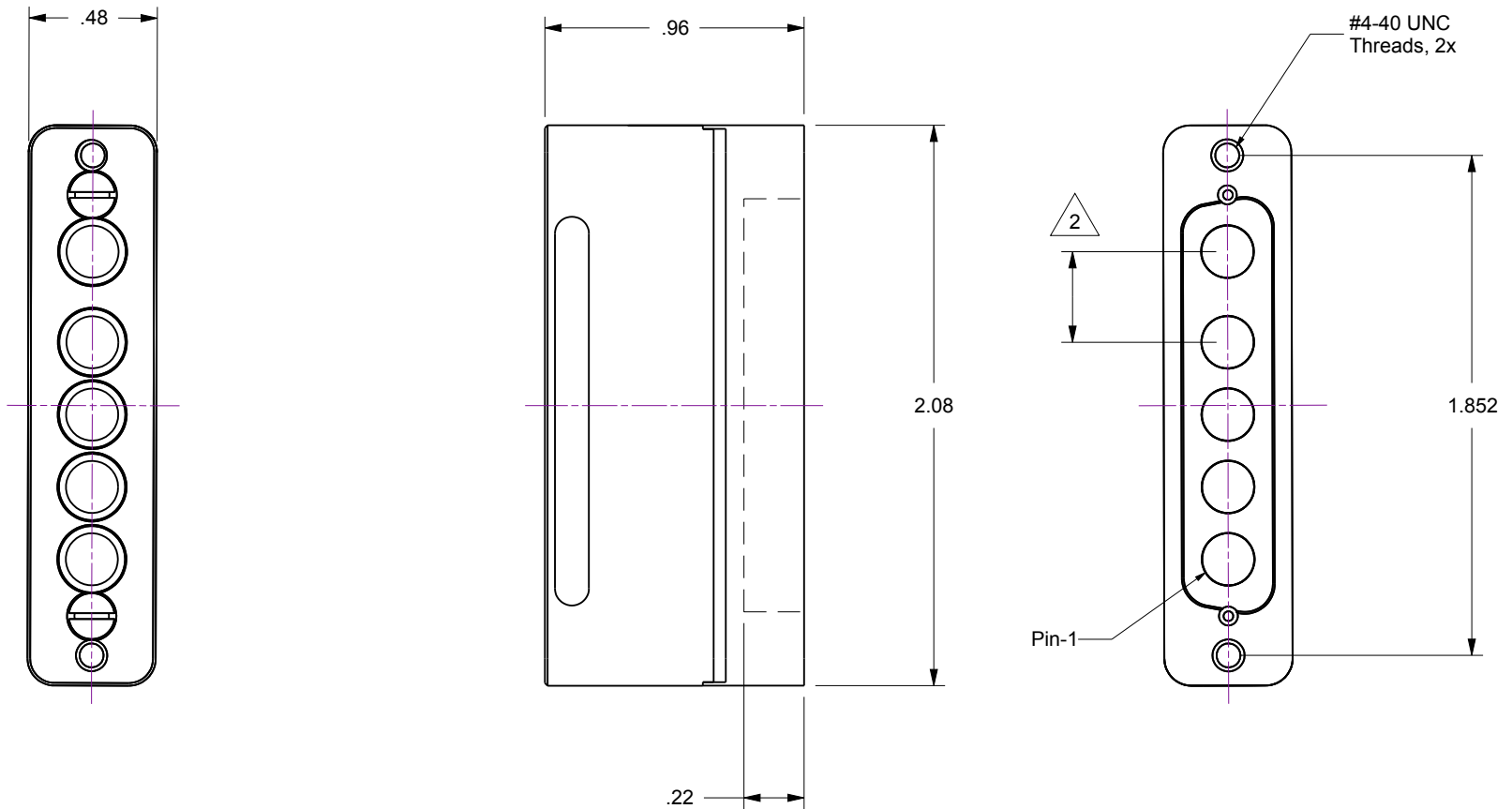


Notes

- 1. Connector .142 diameter pins / contacts are not included and must be purchased separately. Reference Accu-Glass pin / contact part number 101001 (5-piece pack).
- 2. Connector has two polarization features... D shaped interface and longer center-to-center distance between pins 4 and 5

Rev	Description	Date	Approved
A	Initial Release		



**Accu-Glass Products Inc.**  
 25047 Anza Drive  
 Valencia, CA 91355  
 T 818-365-4215  
 F 818-365-7074  
 www.accuglassproducts.com

**UNCONTROLLED WEB DRAWING**

Proprietary and Confidential  
 The information contained in this drawing is the sole property of Accu-Glass, Products Inc. Any reproduction, in part or as whole, without the written permission of Accu-Glass Products, Inc., is strictly prohibited.

Material		PEEK
Tolerances, unless otherwise specified		
.X ± .030	Angles ± 0.5°	
.XX ± .010	Finish 63Ra	
.XXX ± .005		

Title			
25D-5P-PKP Subminiature-D 5-Pin Power UHV Male Connector			
Drawn by	Ligeti	No.	Rev.
Date	7/29/2013	100932	A
Approved			Sheet