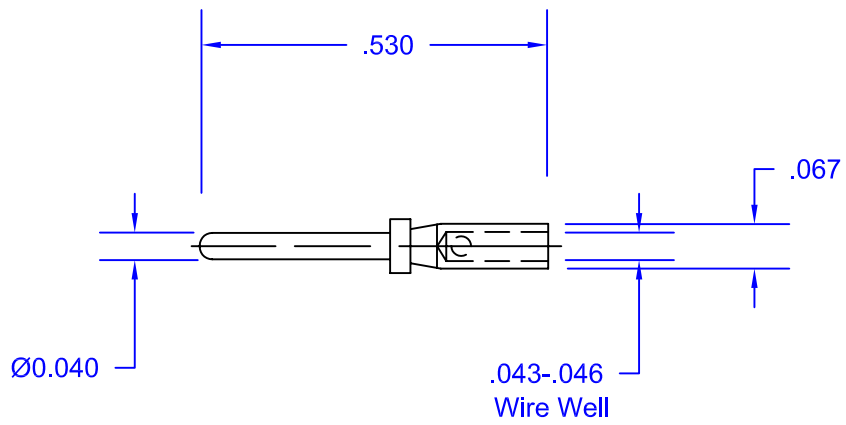
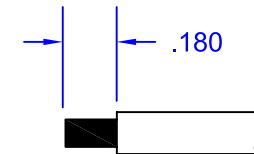


REVISIONS			
REV	DESCRIPTION	DATE	APPROVED



WIRE STRIPPING DIMENSIONS



Special Note:  
Use Crimp tool #100190 (DCT-1)



Accu-Glass Products Inc.  
25047 Anza Drive  
Valencia, CA 91355  
TEL 818-365-4215  
FAX 818-365-7074  
accuglassproducts.com

Notes :

**\* UNCONTROLLED WEB COPY \***

Material <b>Chromel</b>		Title <b>CP-5 Chromel Male Pin Contact</b>	
Tolerances unless otherwise specified		Drawn By M. Wilson	DWG NO. 100981
Decimal .xx= +/- .005 .xxx= +/- .002	Angular +/- 1°	Approved	Date 8-16-07
		PDFE	Cage Code : 4HCQ8