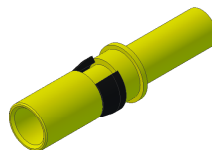
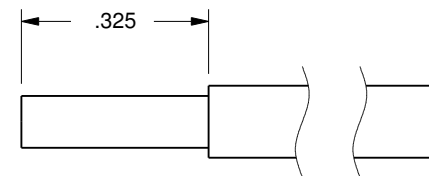
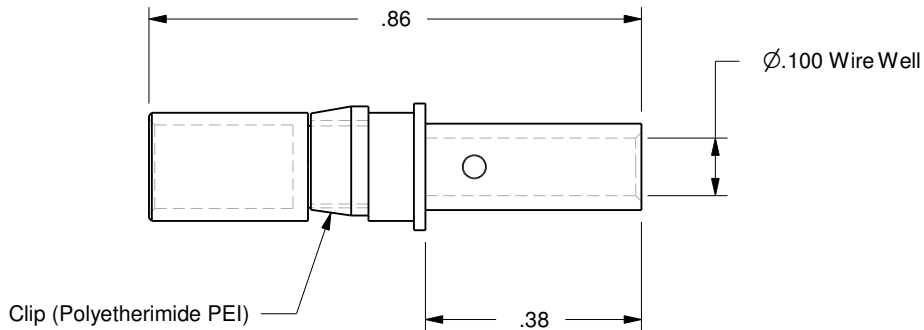


Notes

- 1. Use Crimp Tool PN 101080 (DCT-3)



Rev.	Description	Date	Made By	Approval
A	Initial Release	8/16/2007	MW	
B	Clip Material Changed	5/18/16	Farrell	JF



Wire Stripping Dimensions



Accu-Glass Products Inc.
 25047 Anza Drive
 Valencia, CA 91355
 T 818-365-4215
 F 818-365-7074
 www.accuglassproducts.com

UNCONTROLLED WEB DRAWING

Proprietary and Confidential
 The information contained in this drawing is the sole property of Accu-Glass, Products Inc. Any reproduction, in part or as whole, without the written permission of Accu-Glass Products, Inc., is strictly prohibited.

Material
 See Individual Components

Tolerances,
 unless otherwise specified

.X ± .030	Angles ± 0.5° Finish 63Ra
.XX ± .010	
.XXX ± .005	

Title PS-5 (Female)			
Drawn by Date	MW 8/16/2007	No. 101000	Rev. B
Approved		Sheet	