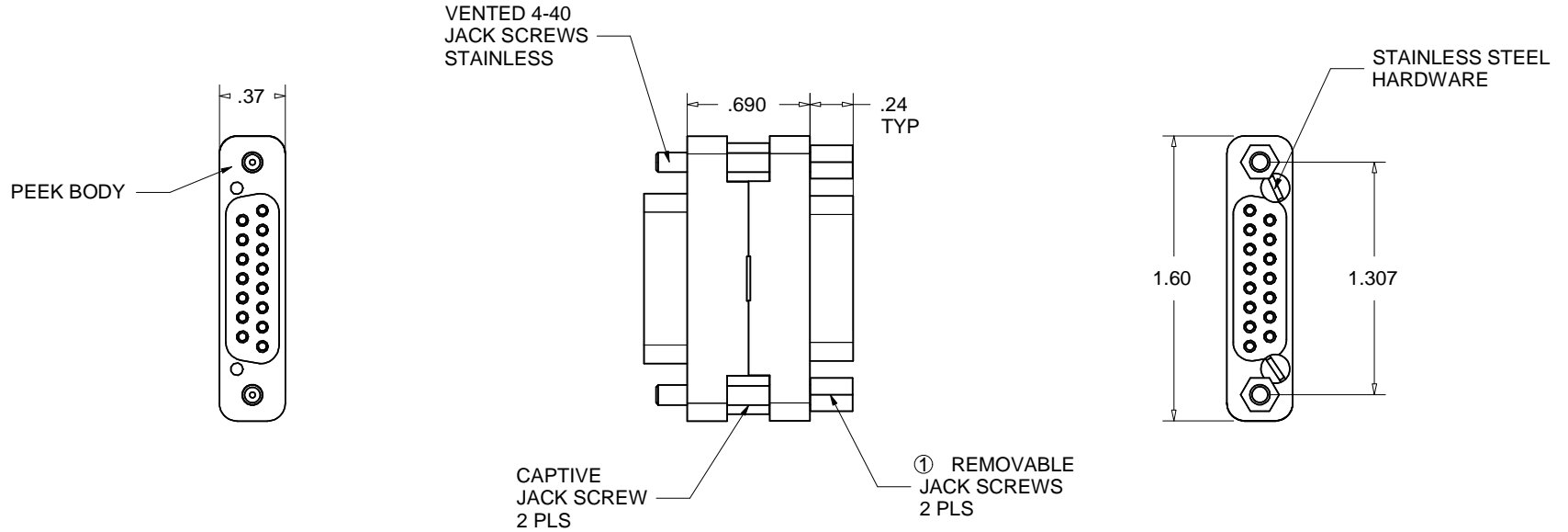
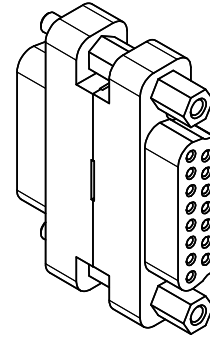


PROPRIETARY AND CONFIDENTIAL
 THE INFORMATION CONTAINED IN THIS
 DRAWING IS THE SOLE PROPERTY OF
 ACCU-GLASS PRODUCTS INC. ANY
 REPRODUCTION IN PART OR AS WHOLE
 WITHOUT THE WRITTEN PERMISSION OF
 ACCU-GLASS PRODUCTS INC. IS
PROHIBITED.

Rev	Description	Date	Approved
A	INITIAL RELEASE	022510	C M



① - JACK SCREWS ARE REMOVABLE. DEPENDING ON THE TYPE OF MALE CONNECTOR USED, MODIFICATION TO THE JACK SCREW OR THE CONNECTOR MAY BE NECESSARY. CONTACT ACCU-GLASS PRODUCTS, INC. FOR MORE INFORMATION



Accu-Glass Products Inc.
 25047 Anza Drive
 Valencia, CA 91355
 TEL 818-365-4215
 FAX 818-365-7074
 accuglassproducts.com

Notes:
 1. DIMENSIONS SYMMETRICAL ABOUT CENTERLINES
 2. CONTACTS ARE INCLUDED WITH GENDER ADAPTER ASSEMBLIES

*** UNCONTROLLED WEB COPY ***

Material
 ASSEMBLY

Tolerances unless otherwise specified.

.X ± .03	Angular: +/- .5°
.XX ± .01	Finish: Min. 63 Ra
.XXX ± .005	

Title: **15D-PK-GA**
GENDER ADAPTER FOR 15D CONNECTOR

Drawn By Date	CR 010510	DWG. NO. 103112	Rev. A
Approved	C M	PDFE	Sheet 1 OF 1