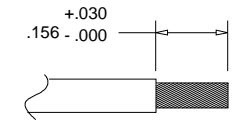
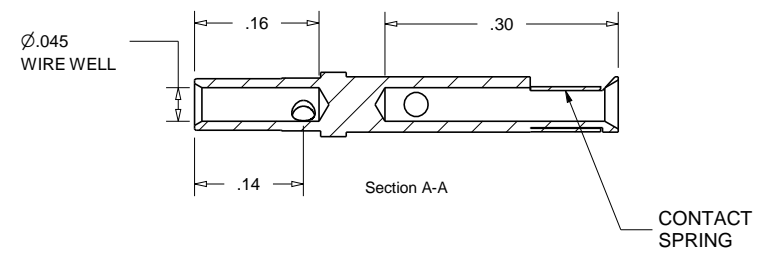
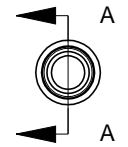
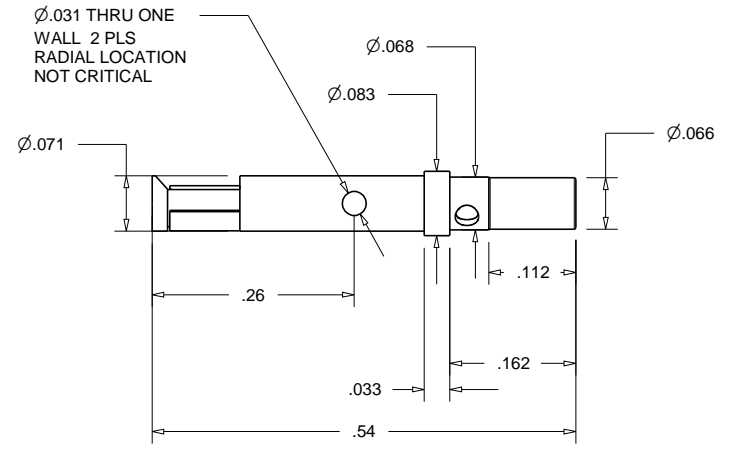
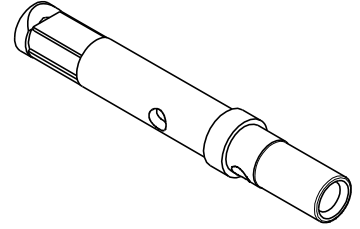


PROPRIETARY AND CONFIDENTIAL
 THE INFORMATION CONTAINED IN THIS DRAWING IS THE SOLE PROPERTY OF ACCU-GLASS PRODUCTS INC. ANY REPRODUCTION IN PART OR AS WHOLE WITHOUT THE WRITTEN PERMISSION OF ACCU-GLASS PRODUCTS INC. IS **PROHIBITED.**

| Rev | Description | Date | Approved |
|-----|-------------------------|------|----------|
| B | RE-DESIGNED PIN CONTACT | | |



| |
|---|
| RELATED PRODUCTS, TYPE T2 CONTACTS |
| P/N 100193 CRIMP TOOL FOR TYPE-T2 CONTACTS |
| P/N 110796 UHV SOLDER |
| P/N 110797 SOLDER FLUX |
| P/N 100936 EXTRACTION TOOL FOR TYPE-T2 CONTACTS |



Accu-Glass Products Inc.
 25047 Anza Drive
 Valencia, CA 91355
 TEL 818-365-4215
 FAX 818-365-7074
 accuglassproducts.com

Notes:
 1. DIMENSIONS SYMMETRICAL ABOUT CENTERLINES

*** UNCONTROLLED WEB COPY ***

| | |
|--|--------------------|
| Material GOLD PLATED COPPER ALLOY | |
| Tolerances unless otherwise specified. | |
| .X ± .03 | Angular: +/- .5° |
| .XX ± .01 | Finish: Min. 63 Ra |
| .XXX ± .005 | |

| | | | |
|--|-----------|----------|--------------|
| Title: HVGS-10 CONATCT SOCKET FOR 20-24 AWG WIRE | | | |
| Drawn By | CR | DWG. NO. | Rev. |
| Date | 9/24/2012 | 110009 | B |
| Approved | JAMIE F. | PDFE | Sheet 1 OF 1 |