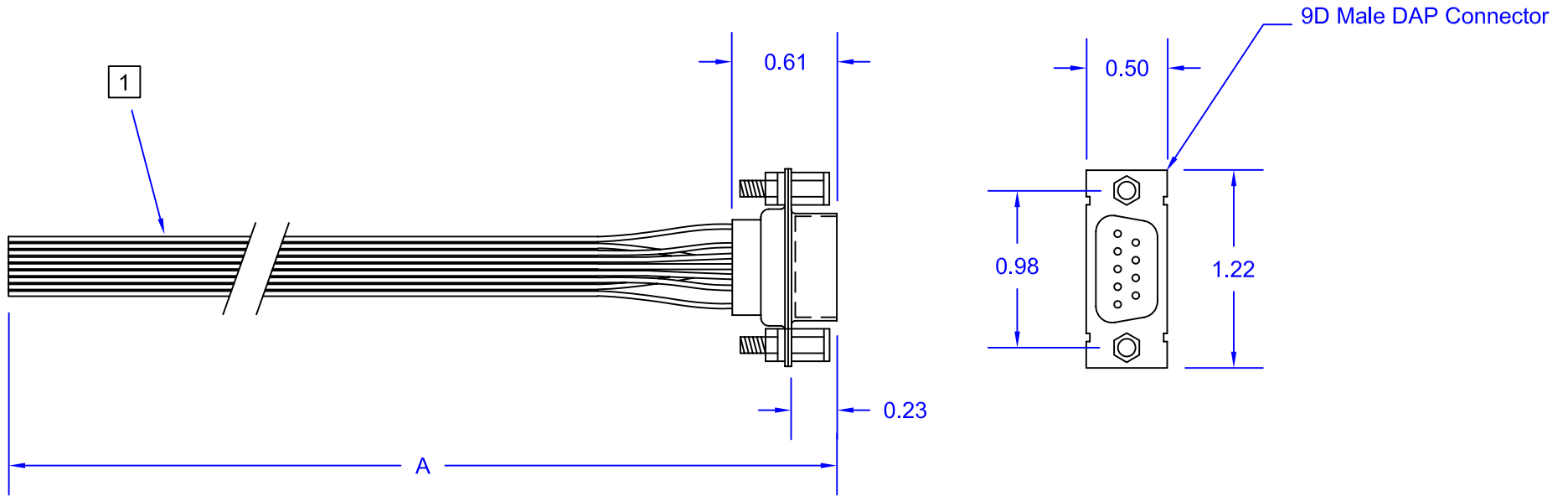


1 9 Conductor Teflon<sup>®</sup> FEP insulated ribbon cable,  
28 AWG silver plated copper stranded wires 7 x 0.005.

REVISIONS			
REV	DESCRIPTION	DATE	APPROVED



Part #	Model #	A
110021	HVB-R9-19PC	19"
110022	HVB-R9-39PC	39"



Accu-Glass Products Inc.  
25047 Anza Drive  
Valencia, CA 91355  
TEL 818-365-4215  
FAX 818-365-7074  
accuglassproducts.com

Notes :

**\* UNCONTROLLED WEB COPY \***

Material		Title		
Tolerances unless otherwise specified		HVB-R9-19PC Male Pin HV Connector to Cable		
Decimal	Angular	Drawn By	M.Wilson	DWG NO. 110021
.xx= +/- .005	+/- 1°	Approved		Date 7-17-07
.xxx= +/- .002				Cage Code : 4HCQ8