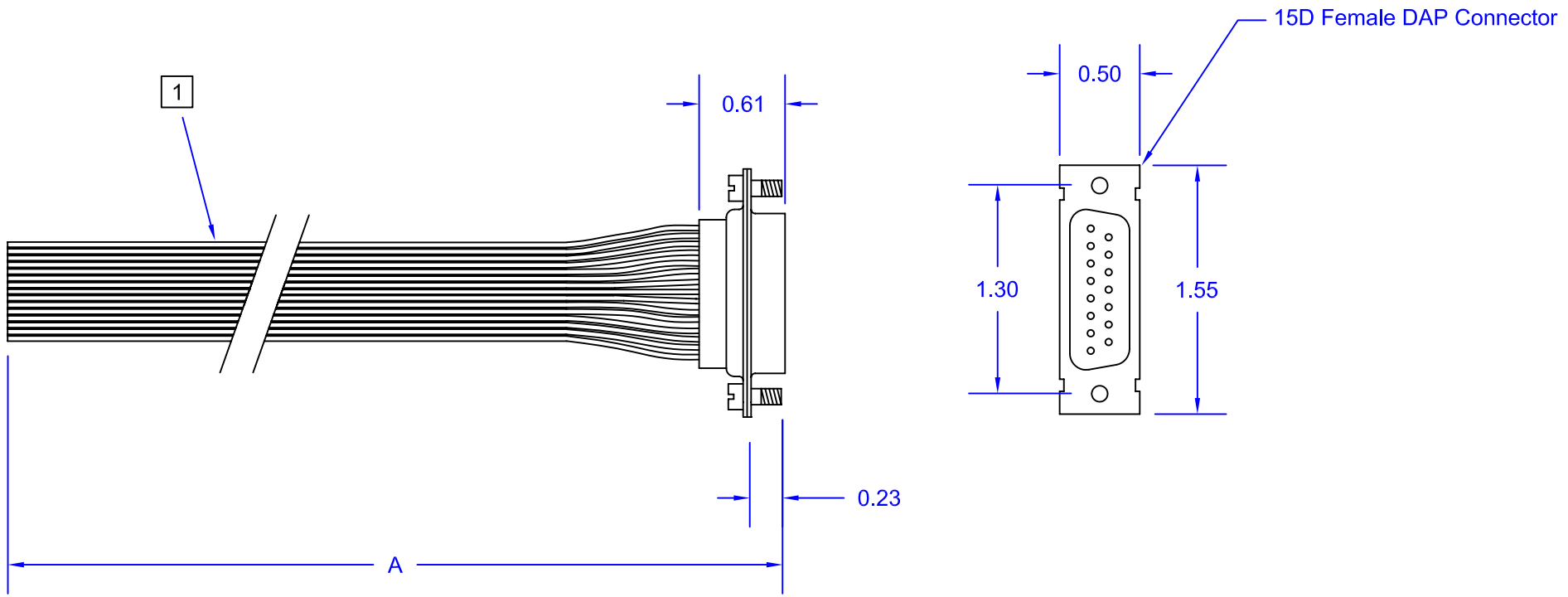


REVISIONS			
REV	DESCRIPTION	DATE	APPROVED

1 15 Conductor Teflon<sup>®</sup> FEP insulated ribbon cable,  
28 AWG silver plated copper stranded wires 7 x 0.005.



Part #	Model #	A
110023	HVB-R15-19SC	19"
110024	HVB-R15-39SC	39"



Accu-Glass Products Inc.  
25047 Anza Drive  
Valencia, CA 91355  
TEL 818-365-4215  
FAX 818-365-7074  
accuglassproducts.com

Notes :  
  
**\* UNCONTROLLED WEB COPY \***

Material	
Tolerances unless otherwise specified	
Decimal	Angular
.xx= +/- .005	+/- 1°
.xxx= +/- .002	

Title			
HVB-R15-19SC Female Socket HV Connector to Cable			
Drawn By	M.Wilson	DWG NO.	110023
Approved		PDFE	Cage Code : 4HCQ8
			Date 7-17-07