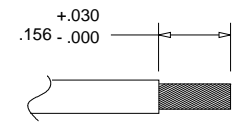
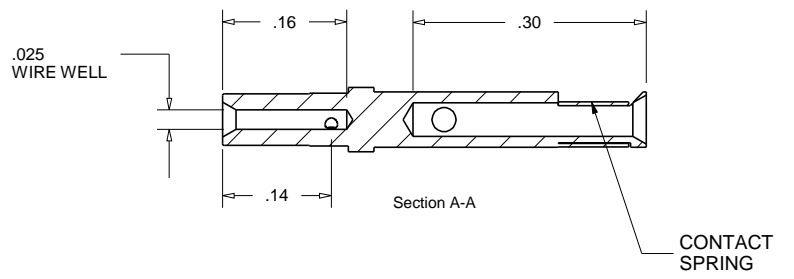
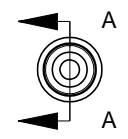
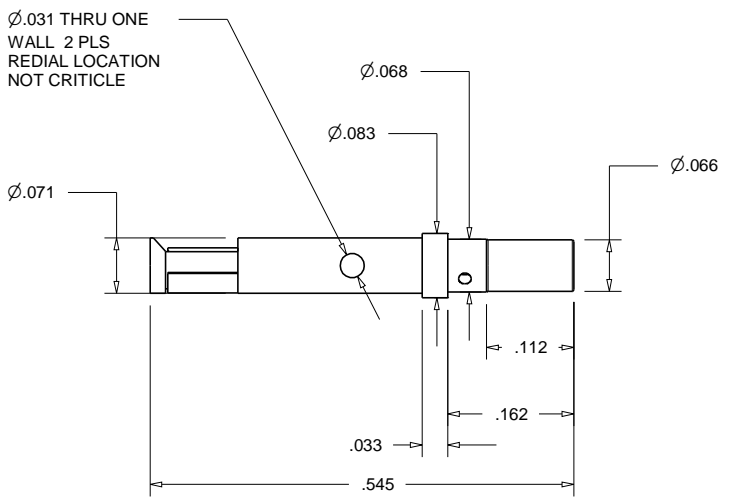
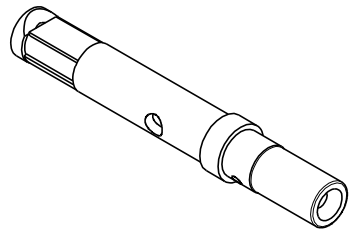


**PROPRIETARY AND CONFIDENTIAL**  
 THE INFORMATION CONTAINED IN THIS DRAWING IS THE SOLE PROPERTY OF ACCU-GLASS PRODUCTS INC. ANY REPRODUCTION IN PART OR AS WHOLE WITHOUT THE WRITTEN PERMISSION OF ACCU-GLASS PRODUCTS INC. IS **PROHIBITED.**

Rev	Description	Date	Approved
B	RE-DESIGNED PIN CONTACT		



WIRE STRIPPING REQUIREMENT  
NO SCALE

RELATED PRODUCTS, TYPE T2 CONTACTS
P/N 100193 CRIMP TOOL FOR TYPE-T2 CONTACTS
P/N 110796 UHV SOLDER
P/N 110797 SOLDER FLUX
P/N 100936 EXTRACTION TOOL FOR TYPE-T2 CONTACT



Accu-Glass Products Inc.  
 25047 Anza Drive  
 Valencia, CA 91355  
 TEL 818-365-4215  
 FAX 818-365-7074  
 accuglassproducts.com

Notes:  
 1. DIMENSIONS SYMMETRICAL ABOUT CENTERLINES

**\* UNCONTROLLED WEB COPY \***

Material	GOLD PLATED COPPER ALLOY
Tolerances unless otherwise specified.	
.X ± .03	Angular: +/- .5°
.XX ± .01	Finish: Min. 63 Ra
.XXX ± .005	

Title: <b>HVGS2-10</b> <b>CONTACT SOCKET FOR 26-30 AWG WIRE</b>			
Drawn By	CR	DWG. NO.	Rev.
Date	9/25/2012	110035	B
Approved	JAMIE F.	PDFE	Sheet 1 OF 1