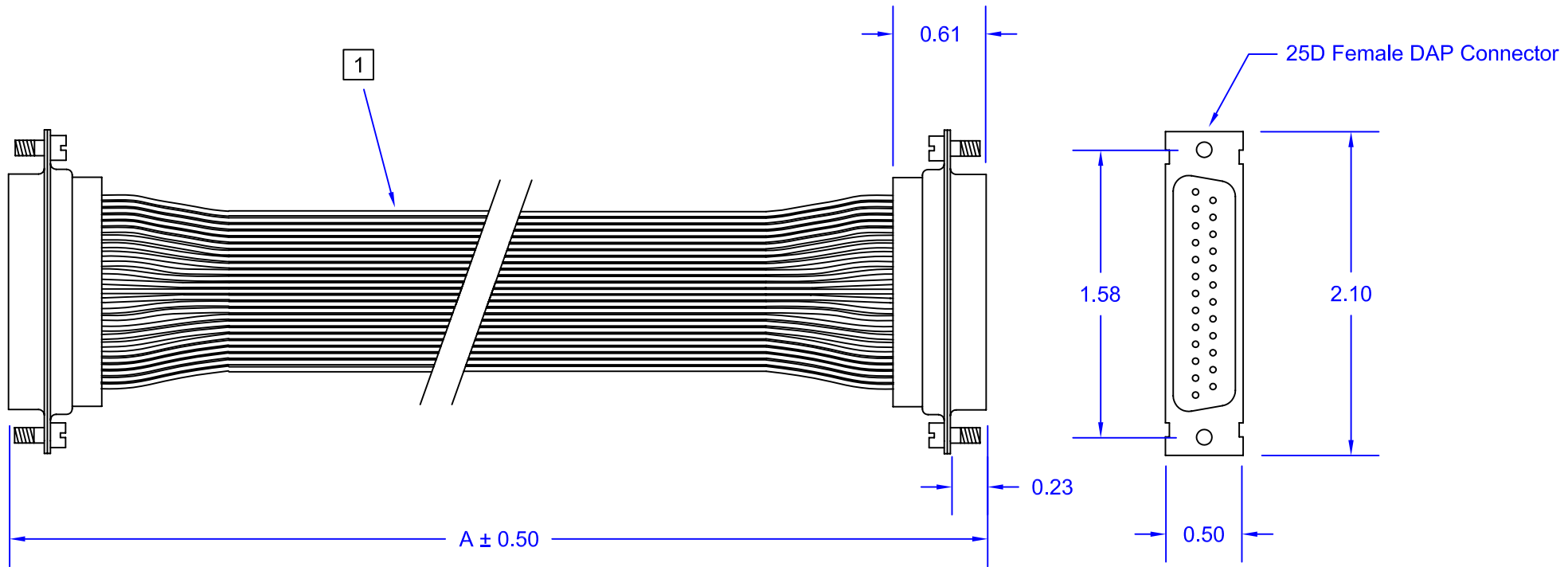


REVISIONS			
REV	DESCRIPTION	DATE	APPROVED

1 25 Conductor Teflon<sup>®</sup> FEP insulated ribbon cable,  
28 AWG silver plated copper stranded wires 7 x 0.005.



Part #	Model #	A
110070	HVB-R25-192SC	19"
110071	HVB-R25-392SC	39"



Accu-Glass Products Inc.  
25047 Anza Drive  
Valencia, CA 91355  
TEL 818-365-4215  
FAX 818-365-7074  
accuglassproducts.com

Notes :

**\* UNCONTROLLED WEB COPY \***

Material		Title	
Tolerances unless otherwise specified		HVB-R25-192SC	
Decimal	Angular	Female Socket HV Connector to Connector Extension Cable	
.xx= +/- .005	+/- 1°	Drawn By	Date
.xxx= +/- .002		M.Wilson	7-18-07
		DWG NO.	
		110070	
		Approved	Cage Code : 4HCQ8
		PDFE	