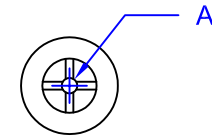
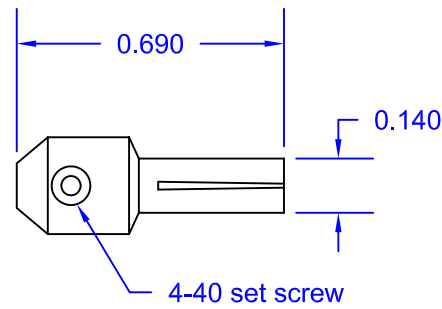
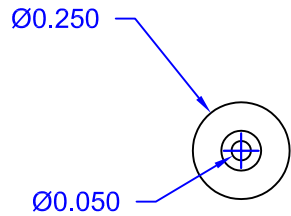


REVISIONS			
REV	DESCRIPTION	DATE	APPROVED



Part #	Model #	A
110100	POC40-5	.040
110101	POC50-5	.050
110102	POC60-5	.060
110103	POC94-5	.094



Accu-Glass Products Inc.
25047 Anza Drive
Valencia, CA 91355
TEL 818-365-4215
FAX 818-365-7074
accuglassproducts.com

Notes :

*** UNCONTROLLED WEB COPY ***

Material Beryllium-copper	
Tolerances unless otherwise specified	
Decimal	Angular
.xx= +/- .005	+/- 1°
.xxx= +/- .002	

Title 110100 - 110103			
Drawn By	M.Wilson	DWG NO.	110100
Approved		PDFE	Cage Code : 4HCQ8
		Date	7-23-08