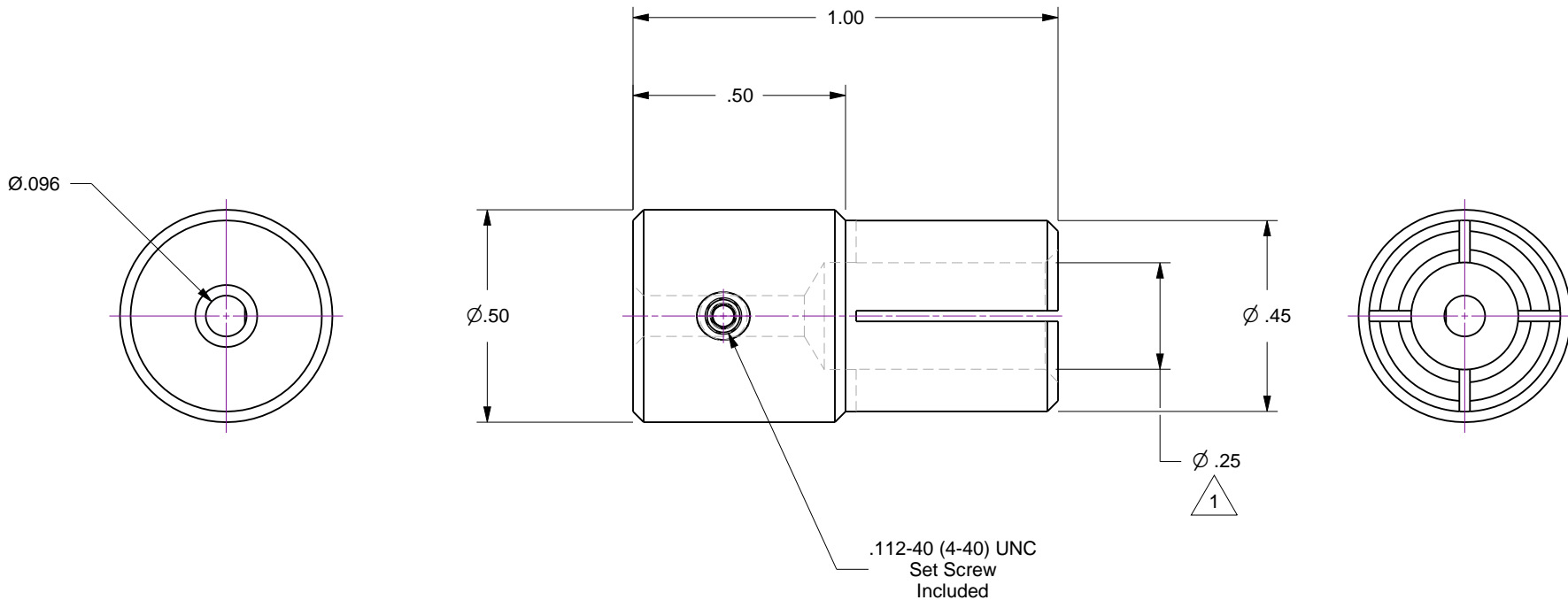


Notes

1. For use with .250 pin / conductor diameter power feedthroughs.

Rev	Description	Date
A	Initial Release	



**Accu-Glass Products Inc.**  
 25047 Anza Drive  
 Valencia, CA 91355  
 T 818-365-4215  
 F 818-365-7074  
 www.accuglassproducts.com

**UNCONTROLLED WEB DRAWING**

Proprietary and Confidential  
 The information contained in this drawing is the sole property of Accu-Glass, Products Inc. Any reproduction, in part or as whole, without the written permission of Accu-Glass Products, Inc., is strictly prohibited.

Material Beryllium-Copper	
Tolerances, unless otherwise specified	
.X $\pm$ .030	Angles $\pm$ 0.5° Finish 63Ra
.XX $\pm$ .010	
.XXX $\pm$ .005	

Title Contact, .250 Female, Push-On Power			
Drawn by Date	Ligeti 9/2/2014	No. <b>110104</b>	Rev. <b>A</b>
Approved			Sheet