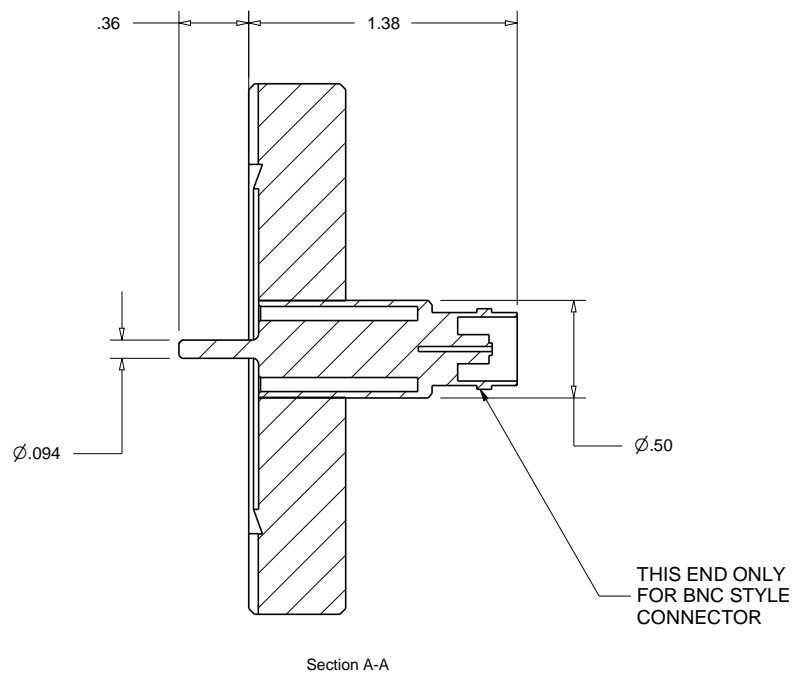
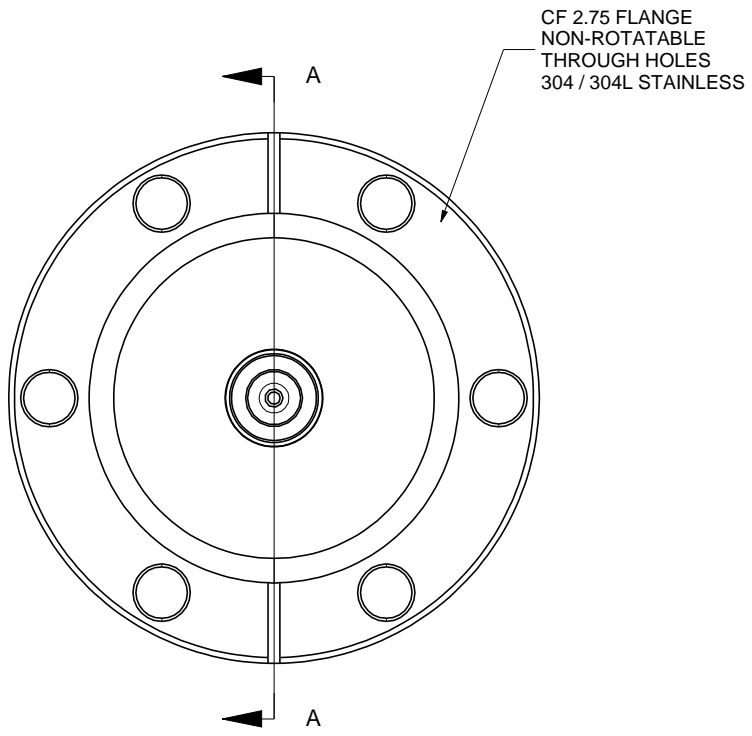
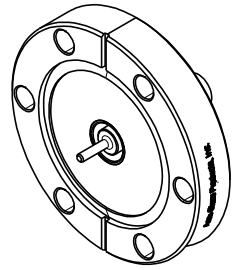


PROPRIETARY AND CONFIDENTIAL
 THE INFORMATION CONTAINED IN THIS DRAWING IS THE SOLE PROPERTY OF ACCU-GLASS PRODUCTS INC. ANY REPRODUCTION IN PART OR AS WHOLE WITHOUT THE WRITTEN PERMISSION OF ACCU-GLASS PRODUCTS INC. IS **PROHIBITED.**

Rev	Description	Date	Approved
A	INITIAL RELEASE		



Related Flange Hardware	2.75" CF Flange
P/N 200760,	Copper Gasket
P/N 200764,	Bolts, Nuts and Washers set



Accu-Glass Products Inc.
 25047 Anza Drive
 Valencia, CA 91355
 TEL 818-365-4215
 FAX 818-365-7074
 accuglassproducts.com

Notes:
 1. DIMENSIONS SYMMETRICAL ABOUT CENTERLINES
 2. No detectable leaks @ 5×10^{-10} cc/s He.

UNCONTROLLED WEB COPY

Material assembly	
Tolerances unless otherwise specified.	
.X ± .03	Angular: +/- .5°
.XX ± .01	Finish: Min. 63 Ra
.XXX ± .005	

Title: BNC-GS-275			
CF 2.75, BNC SINGLE ENDED, GROUNDED SHIELD			
Drawn By Date	CR 4/2/2012	DWG. NO. 110116	Rev. A
Approved	C M	PDFE	Sheet 1 OF 1