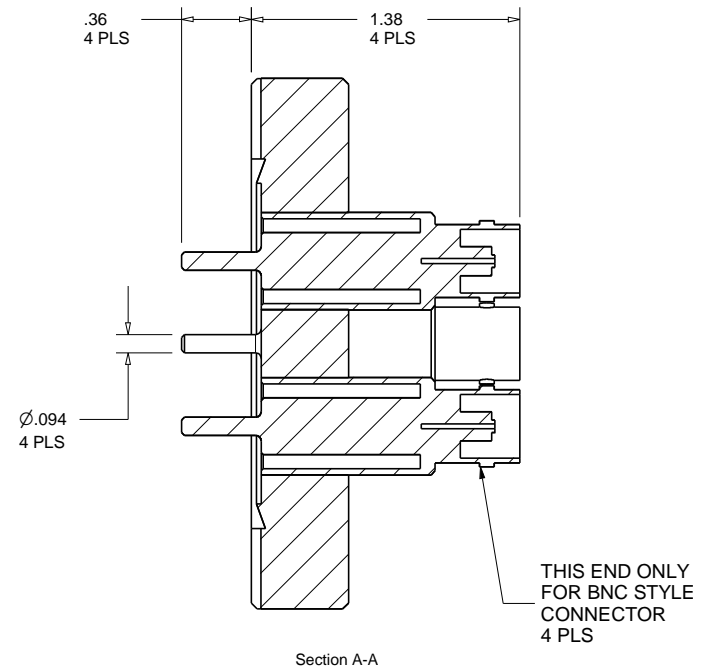
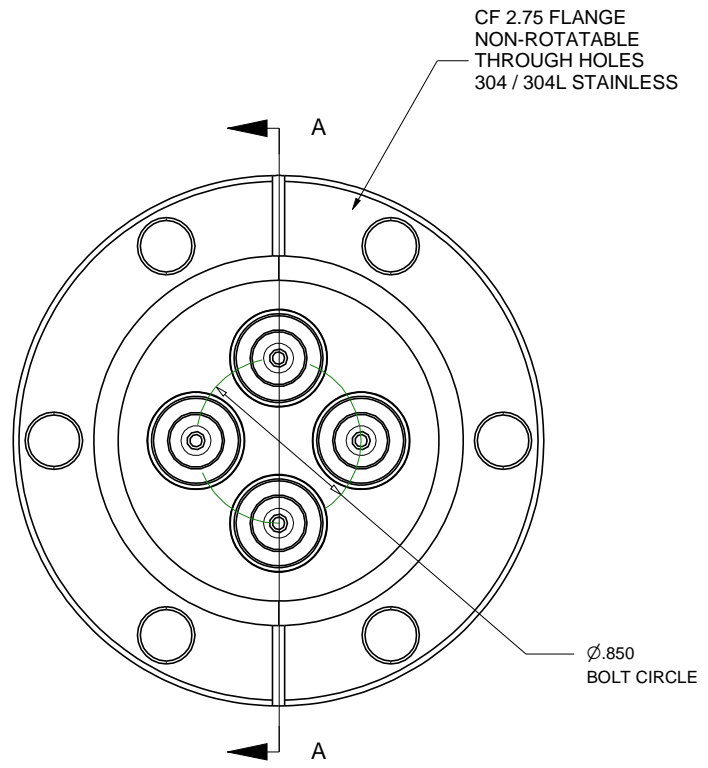
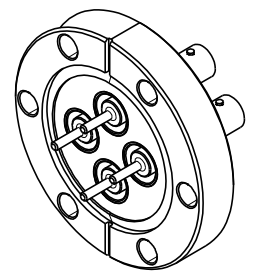


**PROPRIETARY AND CONFIDENTIAL**  
 THE INFORMATION CONTAINED IN THIS DRAWING IS THE SOLE PROPERTY OF ACCU-GLASS PRODUCTS INC. ANY REPRODUCTION IN PART OR AS WHOLE WITHOUT THE WRITTEN PERMISSION OF ACCU-GLASS PRODUCTS INC. IS **PROHIBITED.**

Rev	Description	Date	Approved
A	INITIAL RELEASE	091707	
B	FEEDTHROUGH B.C. Ø1.00 INTERFERED	082708	C M
C	RE-DRAWN ALIBRE. NO CHANGES	040212	J F



Related Flange Hardware	2.75" CF Flange
P/N 200760,	Copper Gasket
P/N 200764,	Bolts, Nuts and Washers set

WHEN USING OUR ACCU-FAST 500 CONNECTORS ON VACUUM SIDE. THE 4 CONNECTORS WILL FIT INTO A Ø1.37 ID TUBE WITHOUT INTERFERENCE.



Accu-Glass Products Inc.  
 25047 Anza Drive  
 Valencia, CA 91355  
 TEL 818-365-4215  
 FAX 818-365-7074  
 accuglassproducts.com

Notes:  
 1. DIMENSIONS SYMMETRICAL ABOUT CENTERLINES  
 2. No detectable leaks @ 5x10<sup>-10</sup> cc/s He.

**\*UNCONTROLLED WEB COPY\***

Material		ASSEMBLY
Tolerances unless otherwise specified.		
.X ± .03	Angular:	
.XX ± .01	+/- .5°	
.XXX ± .005	Finish:	Min. 63 Ra

Title: <b>BNC-GS4-275</b>		
CF2.75, 4EA BNC SINGLE ENDED, GROUNDED SHIELD		
Drawn By	CREYNOLDS	DWG. NO. 110119
Date	040212	Rev. C
Approved	JAMIE F.	PDFE
		Sheet 1 OF 1